



DURAMAX
PVC WALL PANELS

TRIM BROCHURE

Duramax PVC WALL PANEL TRIMS

With the seamless surface of our interlocking panels, trim is only needed on the perimeters of walls and ceilings.

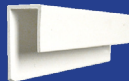
Both practical and aesthetic, our different trim designs accommodate any unique aspects of your rooms.

Whether your walls need certain angles, curves, or hidden wiring, we provide the selection brings the most efficiency.

TYPES OF TRIMS



▶ **OUTSIDE CORNER** Used for Outside Corners.



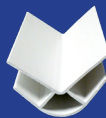
▶ **J TRIM** Used for Wall-to-ceiling, Floor-to-Wall, Inside corners, Doors and Windows perimeter.



▶ **H DIVIDER** Used for connecting the length of panels.



▶ **INSIDE COVE** Used for Wall-to-ceiling, Floor-to-Wall, Inside corners, Doors and Windows perimeter.



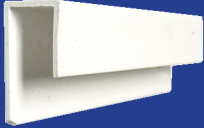
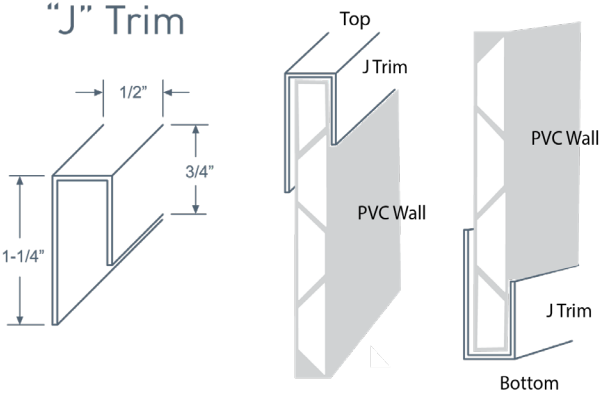
▶ **BULLNOSE CORNER** Used for Outside Corners.


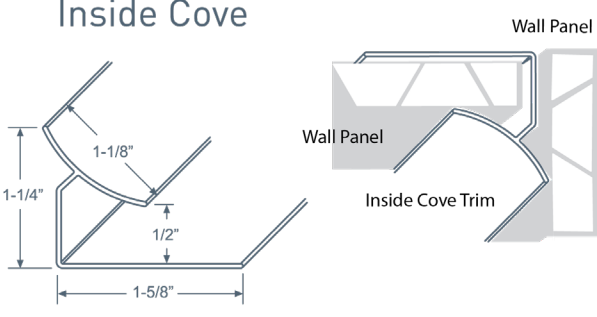



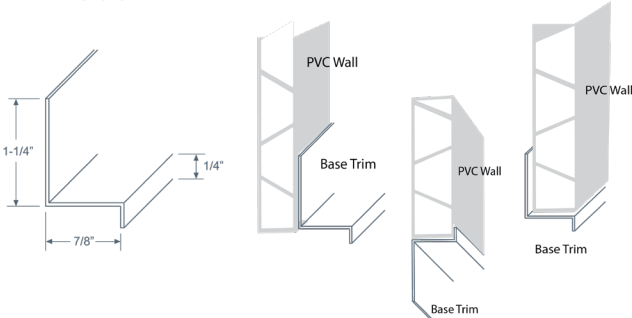
▶ **BASE TRIM** Used for Floor-to-Wall.

Duramax PVC WALL PANEL TRIMS

SPECIFICATIONS


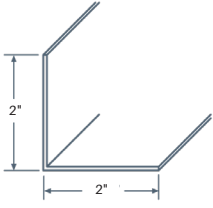
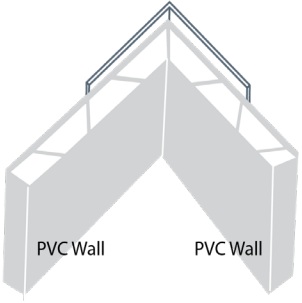
	<p>"J" Trim</p> 	PRODUCT CODE	J Trim 10 FT
		J TRIM	J Trim is the basic trim that is used for any side of a wall or ceiling.
		USES	Wall-to-ceiling Floor-to-Wall Inside corners, Doors and Windows perimeter
		LENGTH	10 FT


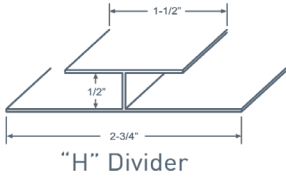
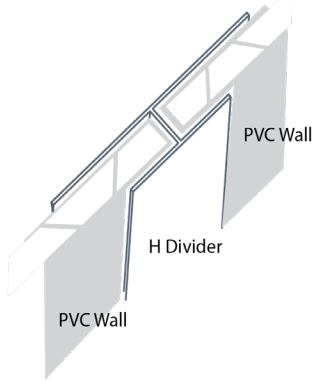
	<p>Inside Cove</p> 	PRODUCT CODE	Inside Cove 10 FT
		INSIDE COVE	Inside Cove is used for the inside corner and provides a curved and smooth corner. Excellent for a seamless water-resistant surface.
		USES	Wall-to-ceiling, Floor-to-Wall, Inside corners
		LENGTH	10 FT


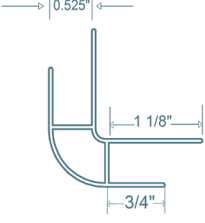
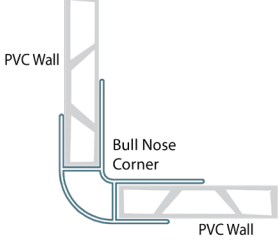
	<p>Base Trim</p> 	PRODUCT CODE	Base Trim 10 FT
		BASE TRIM	Base trim lines the floor to wall and holds the bottom of the wall panel. It is typically used for wet applications and allows for drainage.
		USES	Floor-to-Wall
		LENGTH	10 FT

Duramax PVC WALL PANEL

TRIM SPECIFICATIONS

	<p>Outside Corner</p>  	PRODUCT CODE	Outside Corner 10 FT
		OUTSIDE CORNER	Outside Corner trim covers the 90-degree outside corner of 2 wall panels.
		USES	Outside Corners
		LENGTH	10 FT

	<p>H Divider Trim</p>  	PRODUCT CODE	H Divider 10 FT
		H DIVIDER	IH-Divider is used walls or ceilings that are longer enough to require the length of 2 panels. The H-Divider combines the panels to reach the full length of your wall or ceiling.
		USES	Connecting the length of panels.
		LENGTH	10 FT

	<p>Bull Nose Corner</p>  	PRODUCT CODE	Bullnose Corner 10 FT
		BASE TRIM	Bullnose Corner trim covers the 90-degree outside corner of 2 wall panels but provides a smooth rounded edge.
		USES	Outside Corners
		LENGTH	10 FT

WALL PANEL & TRIMS INSTALLATION

FASTENERS

Wood – #10 x 1-1/4" Truss or Pancake Head screws
Concrete – 3/16" x 1-1/4" Flathead screw

Use only corrosion-resistant (galvanized, stainless steel or aluminum) screws with a minimum head diameter of 3/8". The recommended fastener length is 1-1/4" for wood studs or masonry, 1-1/2" or 2" for drywall installation, and 2-1/2" if furring strips are used for strapping.

Large & Small Outside Corners are the exception. They are installed with silicone caulk adhesive to avoid visible fasteners.

CUTTING

Tin snips are the safest and easiest tool to use when cutting trims. For a cleaner cut, avoid closing the blades at the end of a stroke.

SPACING

It is essential that a minimum of 1/4" clearance is left at the ends of all panels and trims to allow for expansion and contraction.

INSTALL ORDER

When installing walls, the following trims should be installed before the panels:

- Bottom of wall – J Trim or Base Trim
 - Top of Wall – J Trim or Inside Cove Corner
 - Perimeter of doors and windows – J Trim
- Large & Small Outside Corners must be installed after your panels.

WET APPLICATIONS

Base trim should be used at the bottom of walls in wet applications. Alternatively, J Trim can be used if 1/4" diameter holes are drilled every 16" in the bottom of the trim for drainage.

PAINTING VOIDS WARRANTY

Duramax PVC Wall Panels are scratch, dent, and damage resistant, which means they should never require re-painting like traditional drywall.

The use of paint or sanding on Duramax PVC Wall Panels **WILL VOID THE WARRANTY.**

DURAMAX

PVC WALL PANELS



LEARN MORE ABOUT DURAMAX PVC PANELS

VISIT

Duramaxpvcpanels.com

CALL

323-433-5665

EMAIL

sales@duramaxpvcpanels.com