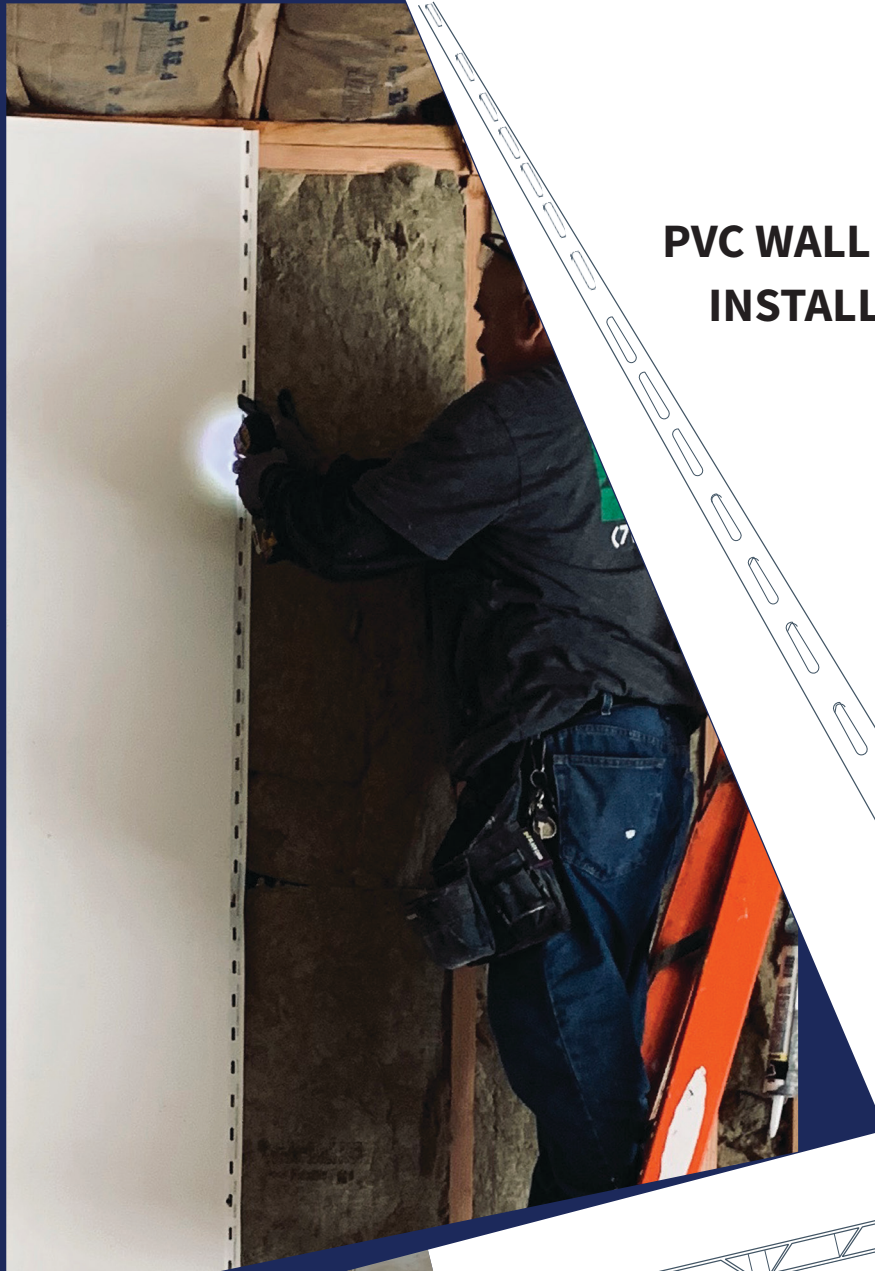


**DURAMAX**  
PVC WALL PANELS

**PVC WALL PANELS & TRIM  
INSTALLATION GUIDE**



## PVC WALL PANELS & TRIM INSTALLATION GUIDE

### Tools required:

Power Drill	Power Saw
Tin Snips	Tape Measure
Level	Putty Knife
Utility Knife	Step Ladder
2 person job	

## ACCLIMATIZING YOUR PRODUCT

Duramax PVC Wall Panels must sit in the location where it will be installed for a minimum of 24 hours before installation. This will minimize the amount of expansion or contraction that occurs after the product is installed and ensure the best possible installation.

We recommend that you loosen or remove any packaging material that may restrain the product while acclimatizing.

## TEMPERATURE RANGE

Duramax PVC Wall Panels is designed to be installed between 10-20°C (50-68°F). For installations outside that temperature range, please consult our Cold Weather Installation Guide.

*Thank  
You!*

For Your Purchase

## BASIC INSTALLATION

If Duramax PVC Wall Panels is being installed on both the ceiling and walls of a project,

**IT SHOULD ALWAYS BE INSTALLED ON THE CEILING FIRST.**

**SILICONE IS MANDATORY IN WET INSTALLATIONS.**

We recommend that a one-part, neutral cure silicone sealant is used to seal all corners, around all fixtures, and to repair small holes. The sealant color should be off-white to match the panels.

## PVC WALL PANELS & TRIM INSTALLATION GUIDE

### FASTENING PVC WALL PANELS

Duramax PVC Wall Panels is designed to be installed with screws. Use only corrosion-resistant (galvanized, stainless steel or aluminum) screws with a minimum head diameter of 3/8”.

**▲ DO NOT USE NAILS OR STAPLES**

Failure to follow fastening instructions may damage the panel and/or void the warranty.

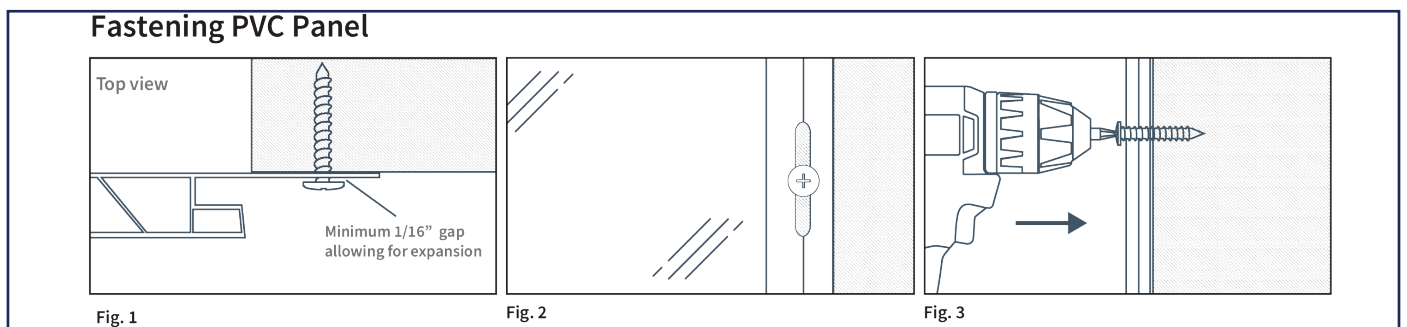
#### USE THE CORRECT SCREW FASTENERS FOR DIFFERENT APPLICATIONS

- Wood – #10 X 1-1/4” Truss or Pancake Head screws
- Concrete – 3/16” x 1-1/4” Flathead screw (Tapcon)
- Metal studs – Make sure to use self-tapping screws instead of wood screws

If applying over drywall, screws should be 1-3/4” to 2” long. If furring strips or strapping are part of your installation, screws should be 2-1/2”.

#### FASTENING TIPS

- Do not over tighten fasteners.
- Allow a minimum of 1/16” (about the thickness of a dime) between the back of the fastener head and the screw flange (Fig 1).
- Always fasten in the center of the screw flange slots; fastening at the end of the slots can cause the panels to buckle or distort (Fig 2).
- Screws must be installed straight and level to allow for movement (Fig 3).
- All panels must be allowed to slide freely after fastening to allow for expansion and contraction.
- Fasteners should penetrate a minimum of 1” into solid backing.
- Fasteners must be no more than 24” apart.





## PVC WALL PANELS & TRIM INSTALLATION GUIDE

### PVC WALL PANELS SPACING

It is essential that a minimum of 1/4" clearance is left at the ends of all panels and trims to allow for expansion and contraction. For longer lengths (>20' long), allow 3/8" clearance.

For vertical panels or trims that sit flush on the bottom J Trim or Base Trim, a minimum of a 1/2" clearance must be left at the top of the panel (as all expansion will take place at the top of the panel).

#### PREPARATION

- Check surfaces for straightness and install furring strips or strapping where necessary; make sure that all vapor barriers, etc are installed to code prior to Duramax PVC Wall Panels being installed.
- Duramax PVC Wall Panels should be installed perpendicular to ceiling joists or roof trusses; when additional strapping must be installed, 1"x4" or 2"x4" furring strips or strapping should be the minimum that is installed; if installing parallel, joists must be 16" on center.
- If furring strips or strapping are required, it should be installed perpendicular to the framing members at 24" on center.
- Install wood blocking (short pieces of lumber for added support/coverage) around all openings to properly support trims.
- If you're suspending lights or other items, install adequate backing at each location as required; never mount items directly to Duramax PVC Panels.
- Do not begin installation until the building is fully enclosed, heating/cooling equipment is in operation and any residual moisture from construction has been removed.

### PVC WALL PANELS CUTTING

Duramax PVC Wall Panels recommends the use of a concrete/masonry blade when cutting PVC panel as a simple method of eliminating cracking and chipping of the product.

As an alternative, you can use a fine tooth blade (12 to 16 teeth per inch) **with the blade installed in the reverse direction**. In cold weather, move the saw through the material slowly to prevent chipping or cracking.

Performing a test cut will allow you to confirm the performance of your cutting tool without impacting your project. **For your safety, safety goggles and a dust mask should be worn while using a power saw.**

## PVC WALL PANELS & TRIM INSTALLATION GUIDE

### PVC WALL PANELS CEILING INSTALLATION

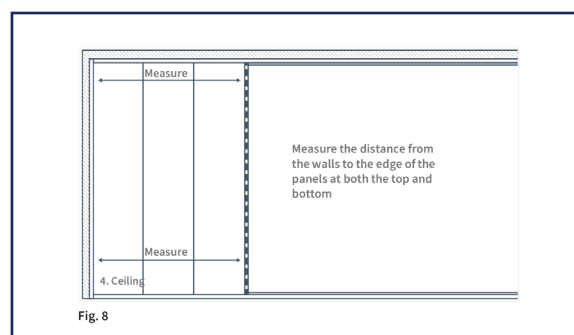
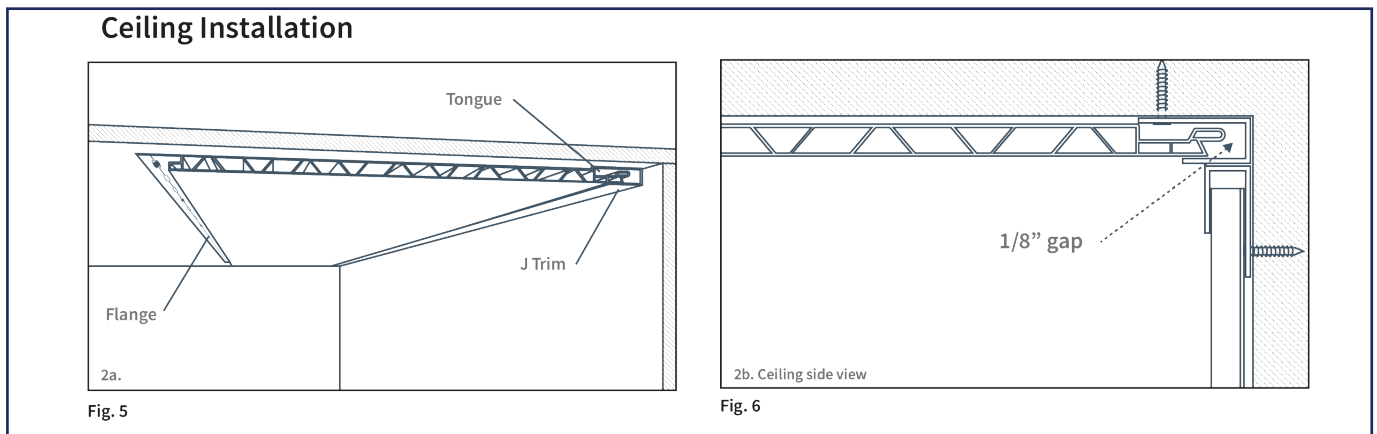
1. Begin by installing the necessary trims on the perimeter of the ceiling and around any openings. Guidelines for trim installation can be found in the Trim application section of this document.
2. Cut the length of the first panel for the first course. Place the panel with the tongue side in the trim and the screw flange side facing away from the wall (Fig 5). Ensure the panel is parallel to the outside wall before fastening.

Leave a 1/8" gap between the tongue side of the panel and the adjoining trim. Fasten a minimum of once every 24" with the appropriate recommended fasteners. **Remember to leave 1/4" of clearance at both ends of the panels for expansion and contraction (Fig 6) and not to over tighten your fasteners.**

3. With the first panel row installed, you can now install the rest of your ceiling. The tongue of the second panel will be inserted into the groove of the first panel. Panels should be firmly pressed together during installation to ensure a proper connection. Once they are firmly together, they can be fastened.

Check your installation periodically to ensure the panels continue to be installed in straight, even rows. To do this, measure the distance from the wall to the edge of your panels at both ends of the panel (Fig 8).

4. Your last panel may need to be trimmed to fit it in. Refer to the Ripping Panels section for details on how to do this.





## PVC WALL PANELS & TRIM INSTALLATION GUIDE

### PVC WALL PANELS VERTICAL INSTALLATION

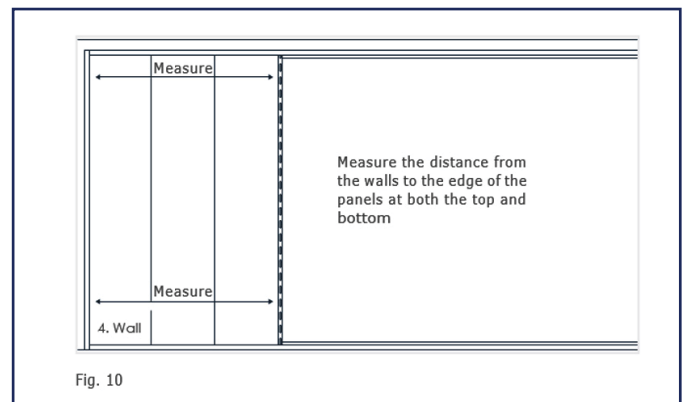
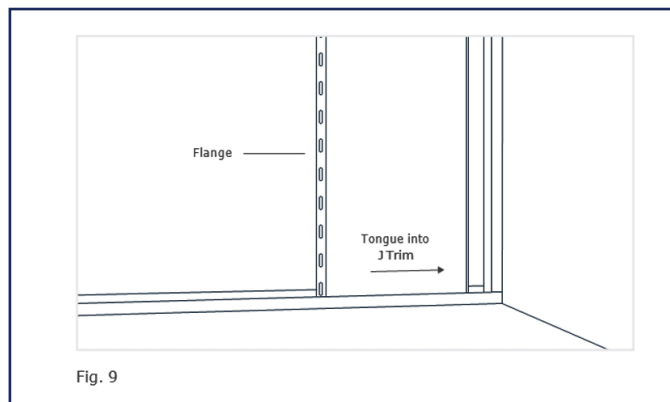
1. Begin by installing the Base Trim or J Trim along the bottom of your wall. Guidelines for trim installation can be found in the Trim application section of this document.
2. If you are using J Trim for your corners, they should be installed before your panels. If you are using inside cove corner, they should be installed after the adjoining wall panels. Then, install perimeter trims required around openings like doors or windows. Guidelines for trim installation can be found in the Trim Applications section of this document.
3. At the top of your wall, you can now install J Trim or Inside Cove Corner. Guidelines for trim installation can be found in the Trim Applications section of this document.
4. Cut the length of the first panel for the first course. Place the panel with the tongue side in the corner trim and the screw flange side facing away from the wall (Fig 9). Ensure the panel is parallel to the outside wall before fastening. Leave a 1/8" gap between the tongue side of the panel and the adjoining trim. Fasten a minimum of once every 24" with the appropriate recommended fasteners.

**Remember to leave 1/4" of clearance at both ends of the panels for expansion and contraction and not to over tighten your fasteners.**

5. With the first panel row installed, you can now install the rest of your wall. The tongue of the second panel will be inserted into the groove of the first panel. Panels should be firmly pressed together during installation to ensure a proper connection. Once they are firmly together, they can be fastened.

**Check your installation periodically to ensure the panels continue to be installed in straight, even rows. To do this, measure the distance from the wall to the edge of your panels at both the top and bottom of the panel (Fig 10). If the measurements are uneven, you will need to correct the positioning of your board.**

6. Your last panel may need to be trimmed to fit it in. Refer to the Ripping panels section for details on how to do this.



## PVC WALL PANELS & TRIM INSTALLATION GUIDE

### PVC WALL PANELS HORIZONTAL INSTALLATION

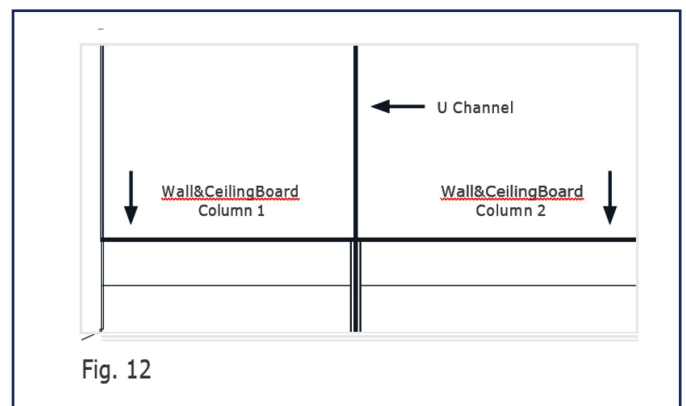
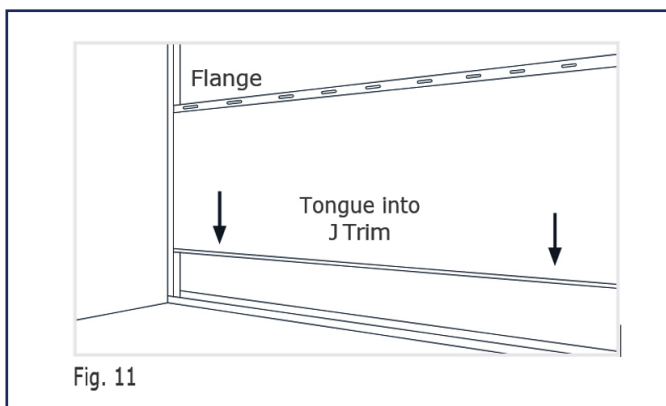
Installation with horizontal panels is almost identical to vertical panels, with a few special considerations.

- The tongue side of the panel should be installed facing towards the floor, the groove side facing towards the ceiling (Fig 11).
- As you add panels, insert silicone into the panel joint to ensure no water will pool in that connection.
- If your wall is longer than your panels, you'll need to join them with an H channel snap-in kit (Fig 12).

#### HIGH MOISTURE ENVIRONMENTS

If you are installing Duramax PVC Wall Panels in a **high moisture environment** (car wash, etc), the following guidelines must be followed:

- Apply a bead of silicone inside the grooved end of the panel prior to inserting the next panel.
- If you are using J Trim at the bottom of your wall, you must drill drainage holes in the bottom of the J Trim per the guidelines in the Trim application section of this document.





## PVC WALL PANELS & TRIM INSTALLATION GUIDE

### DRYWALL GRID CEILING INSTALLATION

PVC Wall Panels may be installed as part of a drop ceiling application using drywall grid, which is designed for applications where materials will be attached by screw. If you are installing PVC Wall Panels in that manner, here are some tips to assist you.

- Install the panels perpendicular to the drywall grid.
- Plan your installation in advance so trims can be installed directly into the grid; main beams are preferable, but cross tees can also be added to support these trims.
- Panels will need to be fastened into the grid from below to ensure a waterproof installation; they cannot be dropped into the grid in this application.
- The grid should be arranged so the panels are fastened a minimum of 24" on center.
- For fastening, a #12 x 3/4" pan head stainless steel screw is suggested.

### RIPPING PVC WALL PANELS

To ensure even panel spacing on your project, you should plan the layout of your PVC Wall Panels prior to installation. If your wall space requires that you cut panels, ensure that any cut panels are a minimum of 8" wide. If necessary, you can cut both the first panel and last panel of your wall to accomplish this.

- If you are cutting the first panel, cut off the tongue side.
- If you are cutting the last panel, cut off the groove (screw flange) side.

When measuring the coverage needed, measure only the panel profile, not the nailing flange.

**IMPORTANT** you need to allow for 1/4" of space at the end of the wall for expansion/contraction.

When installing the last panel of the wall, a putty knife can be helpful in bending the J Trim back to create enough space to get the panel into the trim.



## PVC WALL PANELS & TRIM INSTALLATION GUIDE

### CUTOUTS

If holes are required for things like electrical boxes, lights, taps, etc., it is recommended to use a jigsaw to cut out the shape, following the steps below.

1. Measure the location of the opening on the wall.
2. Mark the perimeter of your opening on the panel.
3. Drill a 1/2" hole in the corner of the required opening.

Insert the blade into the hole and proceed to cut out along your marked lines.

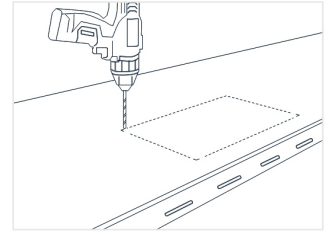


Fig. 13

### RADIANT HEAT

All sources of radiant heat must be shielded and located with a minimum of 24" clearance between it and PVC Wall Panels. Consult the manufacturer of any heater for further guidelines regarding any necessary shielding and clearances before installing.

### EPOXY FLOORS

When installing PVC Wall Panels in a location that will receive an epoxy floor, the epoxy cannot be sprayed onto the Duramax PVC Panels Wall Panels.

## USDA, FDA COMPLIANT & CFIA CERTIFIED INSTALLATIONS

Duramax PVC Wall Panels are fully compliant with the requirements set out by the USDA, FDA and CFIA for areas where food is prepared. In these applications, the following guidelines must be followed.

- The product is strictly for use on non-food contact surfaces.
- All joints are to be sealed with an acceptable flexible caulking compound to provide a smooth, flush, and impervious joint.

**In the USA,** the product is branded as DAP Commercial Kitchen 100% Silicone Sealant. Both meet FDA Reg. 21, CFR 177.2600 and are certified to NSF/ANSI Standard #51.

**In Canada,** MONO® SILICONE MAX™ Premium Kitchen & Bath Sealant can be used for this application.



## PVC WALL PANELS & TRIM INSTALLATION GUIDE


### PVC WALL PANELS TRIM INSTALLATION

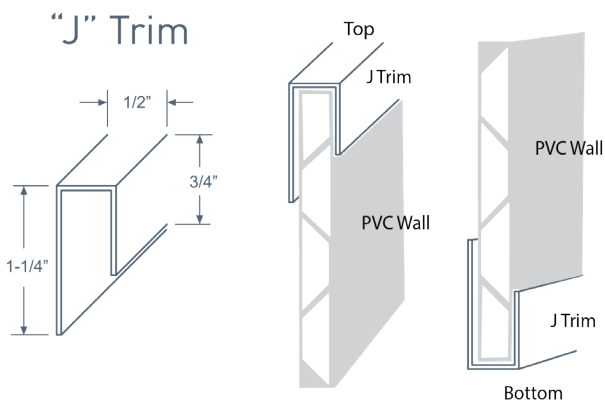
#### IMPORTANT TIPS

- Tin snips are the safest and easiest tool to use when cutting trims; for a cleaner cut, avoid closing the blades at the end of a stroke.
- Trims should be screwed to the substrate at least once every 24" and at least 4" from the end of the panel.
- If an area requires more than 10' of continuous trim, the trims should be butted tightly together with silicone sealant placed between the two pieces.
- To create a water-tight corner at door and window openings, insert a small bead of silicone caulking on channel opening of trim pieces before installing panels.

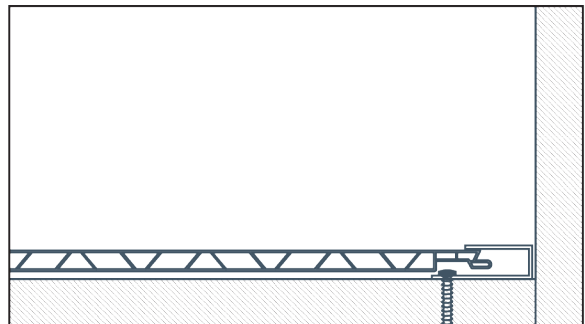
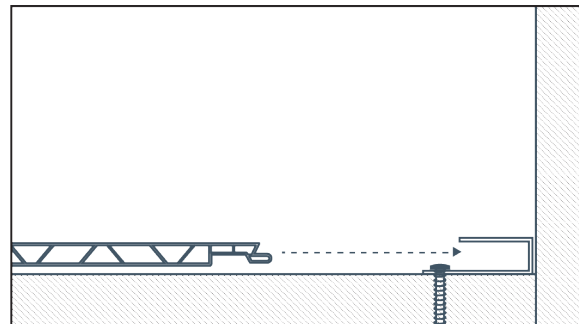
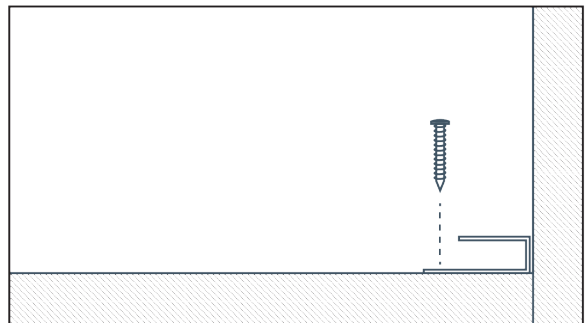
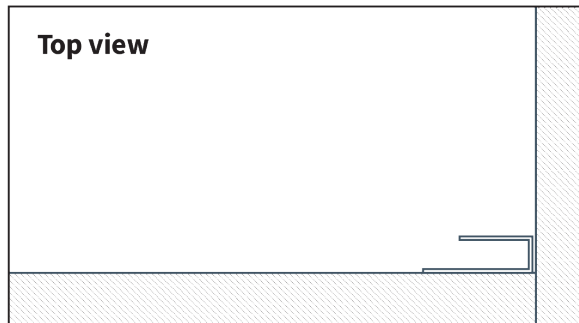
**PVC WALL PANELS & TRIM INSTALLATION GUIDE**

**J TRIM INSTALLATION**



<p><b>"J" Trim</b></p> 	<table border="1"> <tr> <td><b>PRODUCT CODE</b></td> <td>J Trim 10 FT</td> </tr> <tr> <td><b>J TRIM</b></td> <td>J Trim is the basic trim that is used for any side of a wall or ceiling.</td> </tr> <tr> <td><b>USES</b></td> <td>Wall-to-ceiling Floor-to-Wall Inside corners, Doors and Windows perimeter</td> </tr> <tr> <td><b>LENGTH</b></td> <td>10 FT</td> </tr> </table>	<b>PRODUCT CODE</b>	J Trim 10 FT	<b>J TRIM</b>	J Trim is the basic trim that is used for any side of a wall or ceiling.	<b>USES</b>	Wall-to-ceiling Floor-to-Wall Inside corners, Doors and Windows perimeter	<b>LENGTH</b>	10 FT
<b>PRODUCT CODE</b>	J Trim 10 FT								
<b>J TRIM</b>	J Trim is the basic trim that is used for any side of a wall or ceiling.								
<b>USES</b>	Wall-to-ceiling Floor-to-Wall Inside corners, Doors and Windows perimeter								
<b>LENGTH</b>	10 FT								

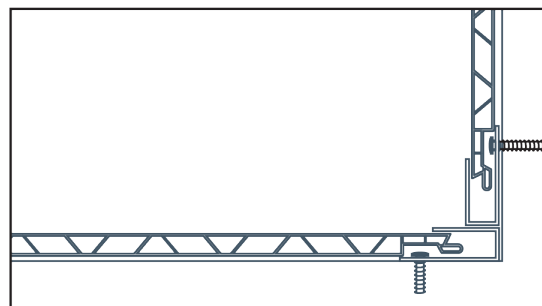
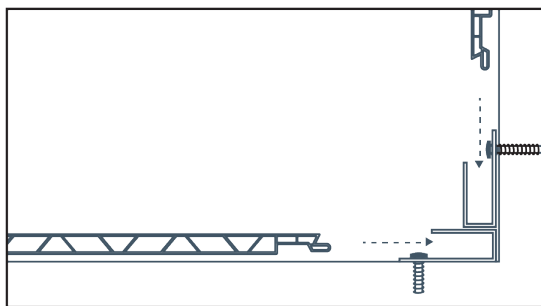
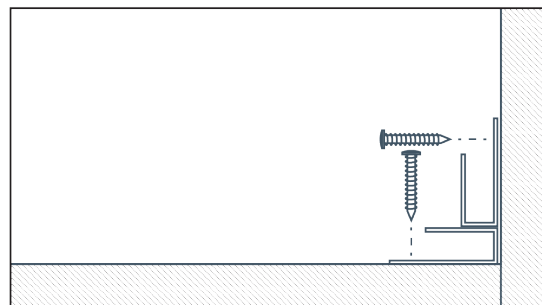
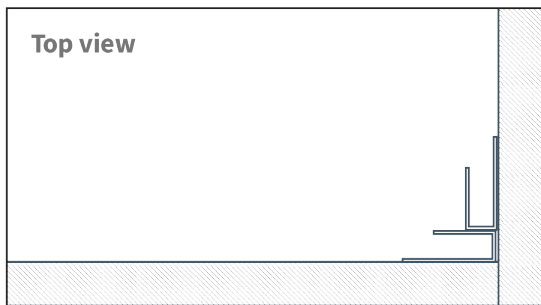
**ONE J TRIM INSIDE CORNER**



**PVC WALL PANELS & TRIM INSTALLATION GUIDE**

**J TRIM INSTALLATION**

**TWO J TRIM INSIDE CORNER**

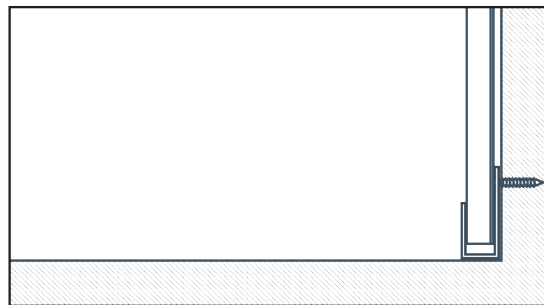
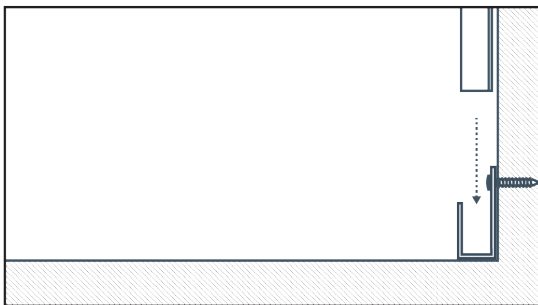
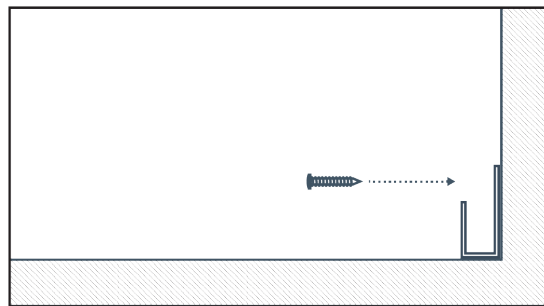
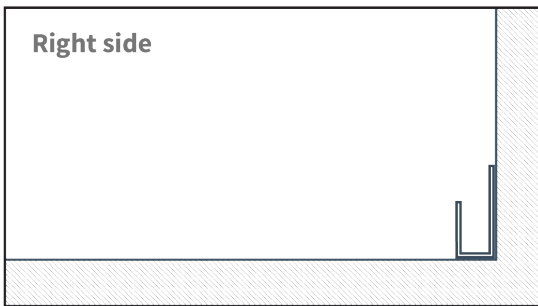
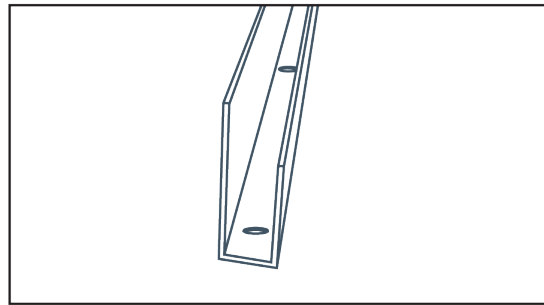
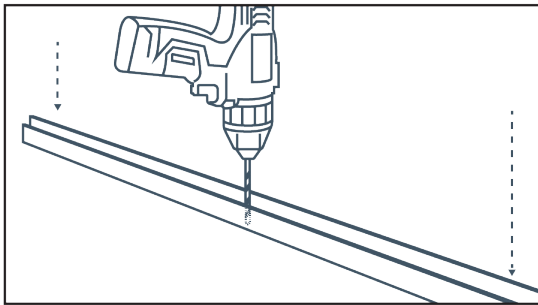


**PVC WALL PANELS & TRIM INSTALLATION GUIDE**

**J TRIM INSTALLATION**

**IMPORTANT**

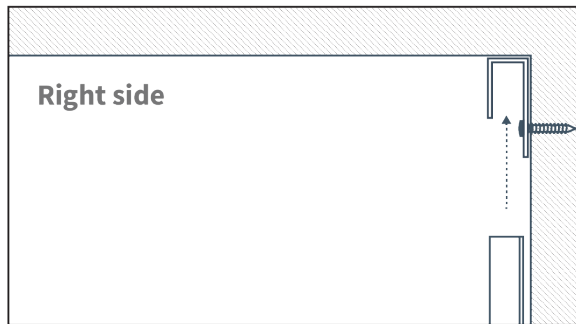
To ensure drainage, drill 1/4" diameter holes into the bottom of the J Trim before installing it on the wall. Holes should be placed 16" on center.



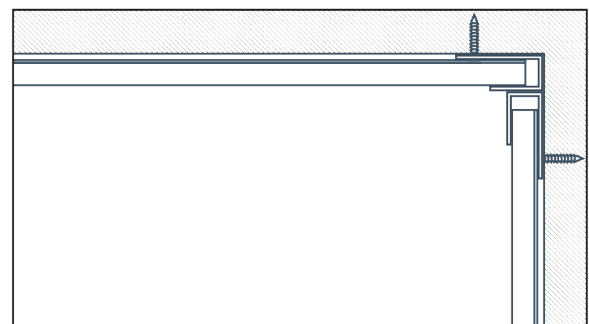
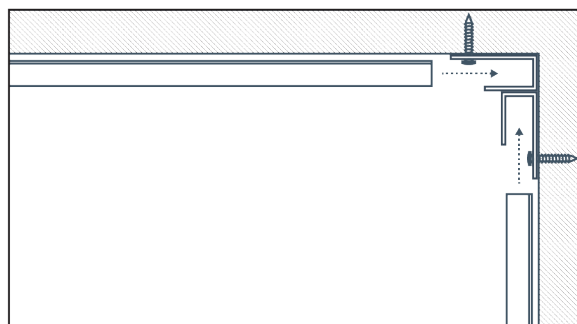
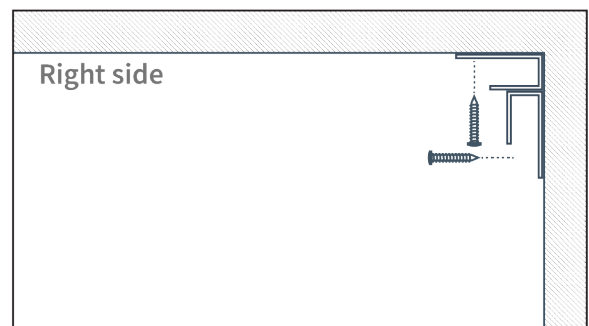
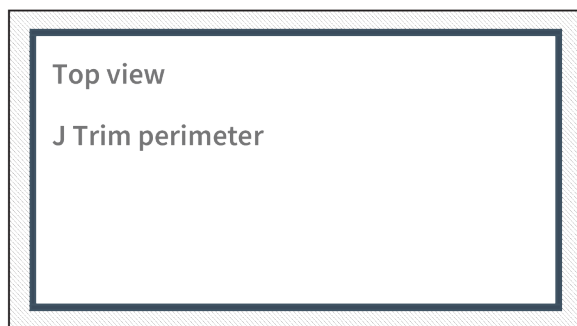
**PVC WALL PANELS & TRIM INSTALLATION GUIDE**

**J TRIM INSTALLATION**

**J Trim Top of Wall**



**J Trim Ceiling Perimeter**

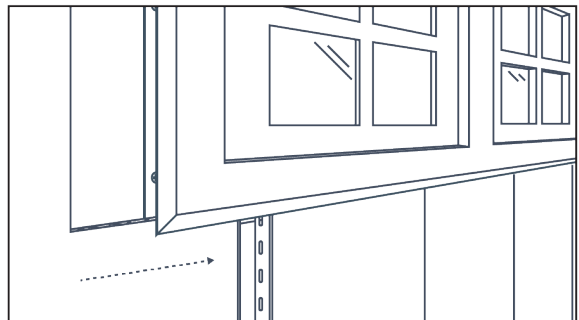
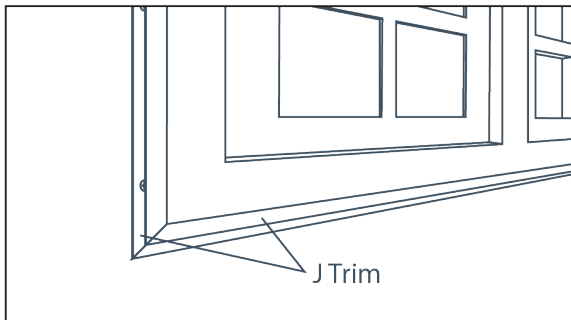
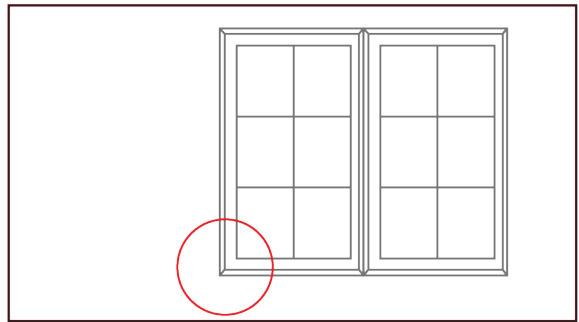
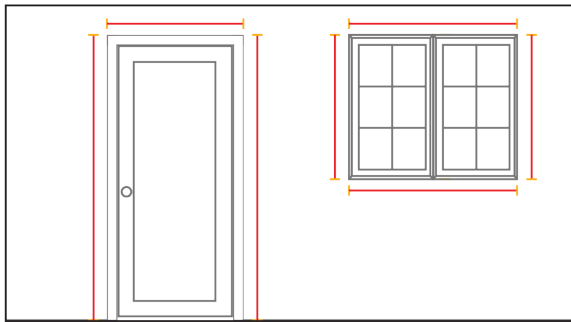




**PVC WALL PANELS & TRIM INSTALLATION GUIDE**

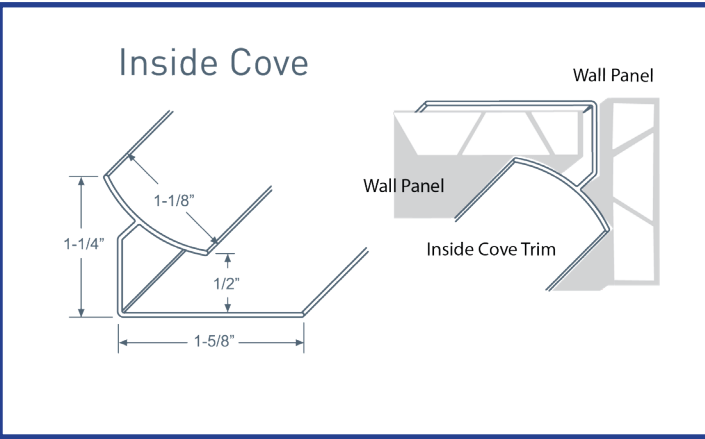
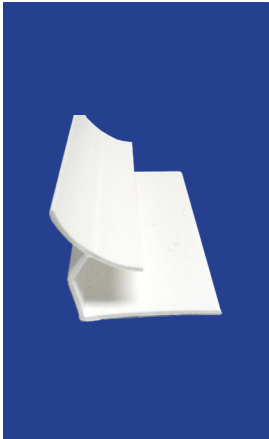
**J TRIM INSTALLATION**

**J Trim Window & Door Openings**



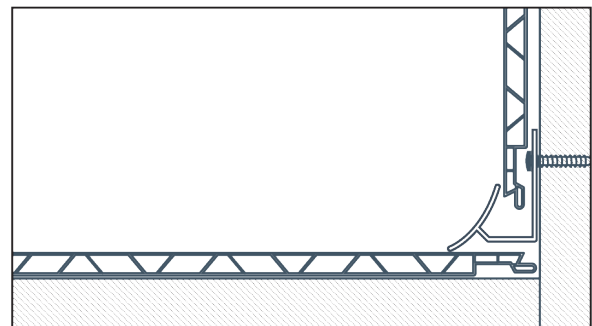
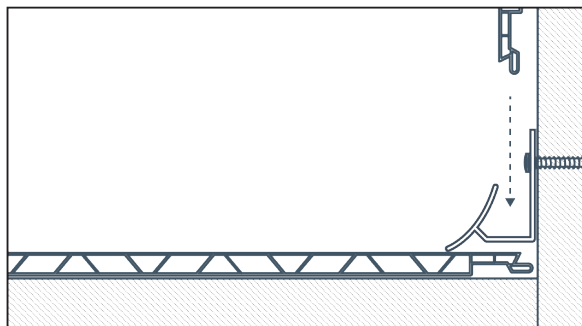
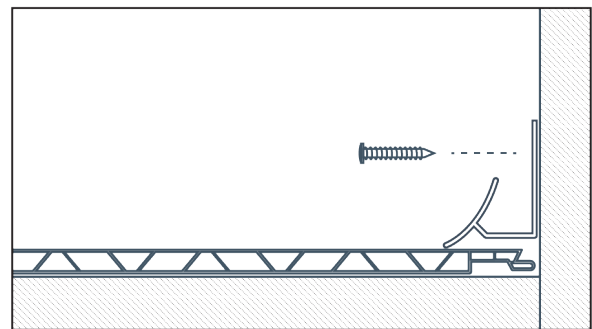
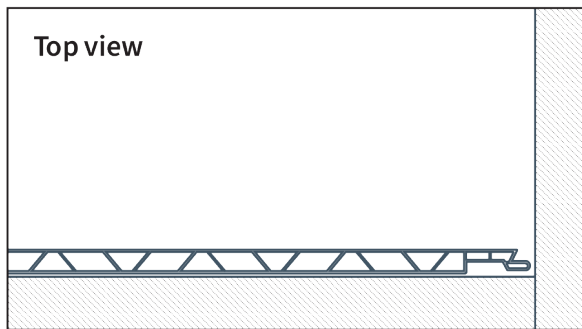
**PVC WALL PANELS & TRIM INSTALLATION GUIDE**

**INSIDE COVE TRIM INSTALLATION**



<b>PRODUCT CODE</b>	Inside Cove 10 FT
<b>INSIDE COVE</b>	Inside Cove is used for the inside corner and provides a curved and smooth corner. Excellent for a seamless water-resistant surface.
<b>USES</b>	Wall-to-ceiling, Floor-to-Wall, Inside corners
<b>LENGTH</b>	10 FT

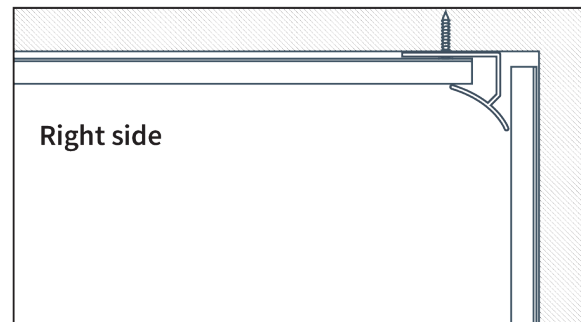
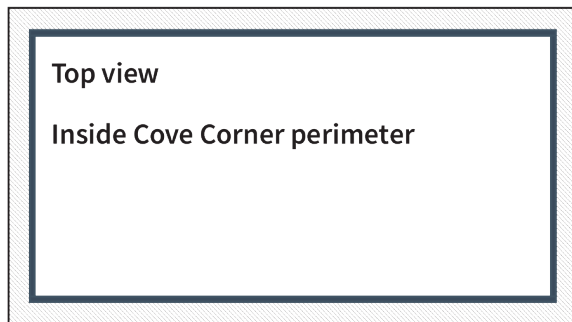
**Inside Cove Corner**



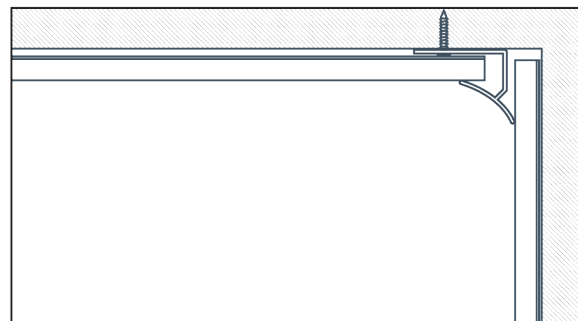
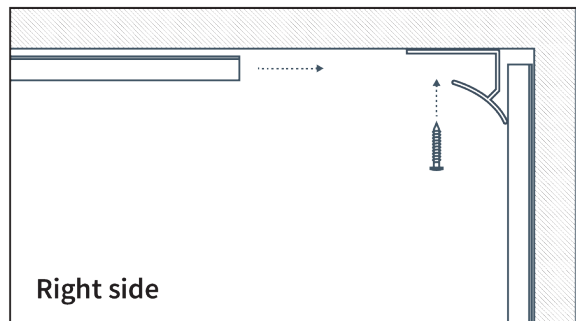
**PVC WALL PANELS & TRIM INSTALLATION GUIDE**

**INSIDE COVE TRIM INSTALLATION**

**Inside Cove Corner**


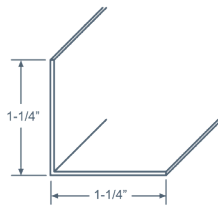
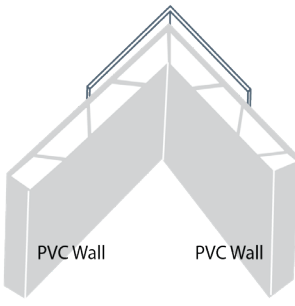


**Inside Cove Corner**

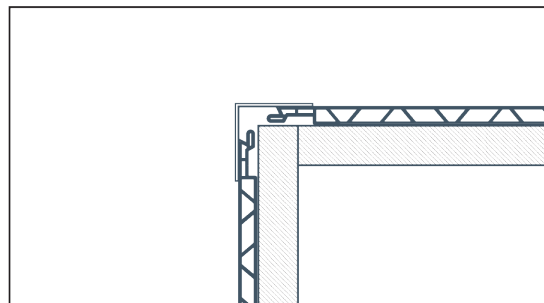
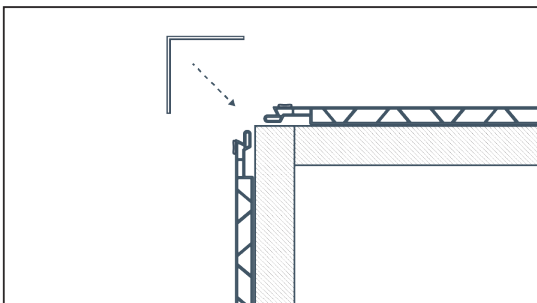
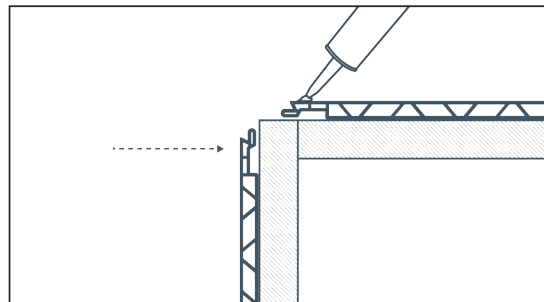
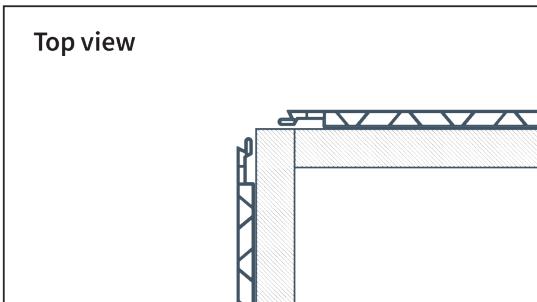


**PVC WALL PANELS & TRIM INSTALLATION GUIDE**

**OUTSIDE CORNER TRIM INSTALLATION**

	<p>Outside Corner</p> 	<p>Outside Corner</p> 	<p><b>PRODUCT CODE</b></p> <p>Outside Corner 10 FT</p>
			<p><b>OUTSIDE CORNER</b></p> <p>Outside Corner trim covers the 90-degree outside corner of 2 wall panels.</p>
			<p><b>USES</b></p> <p>Outside Corners</p>
			<p><b>LENGTH</b></p> <p>10 FT</p>

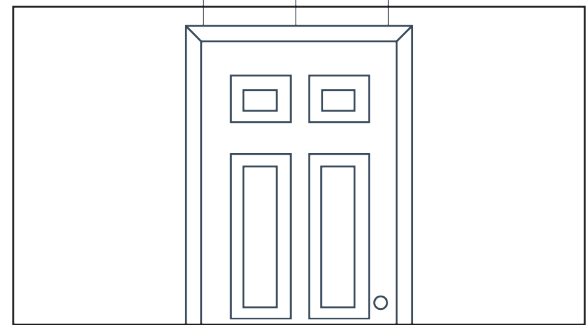
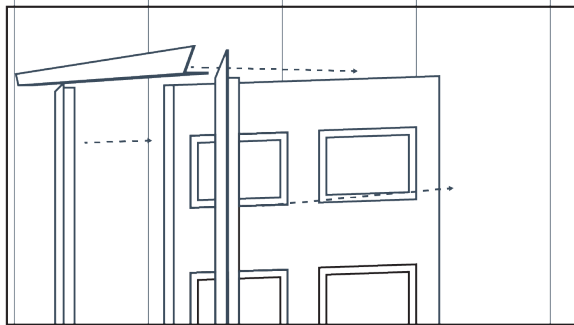
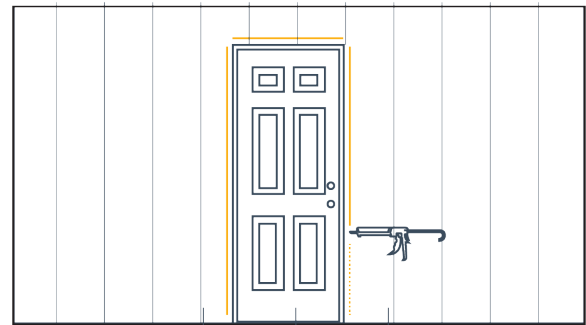
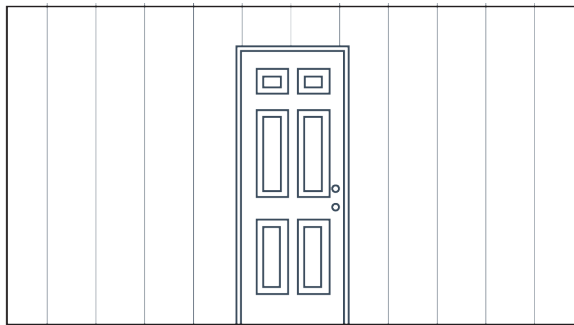
**Outside Corner**



**PVC WALL PANELS & TRIM INSTALLATION GUIDE**


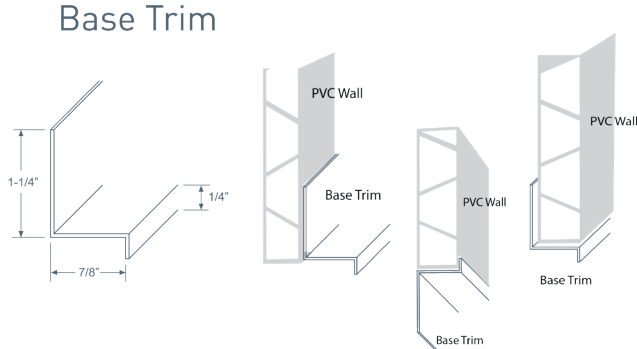
**OUTSIDE CORNER TRIM INSTALLATION**

**Outside Corner**

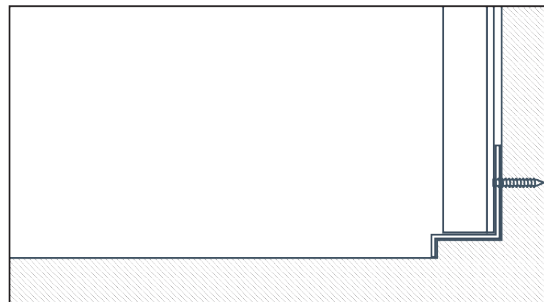
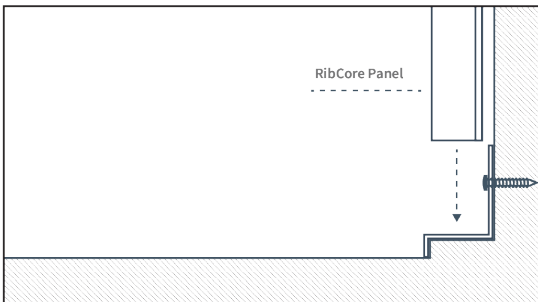
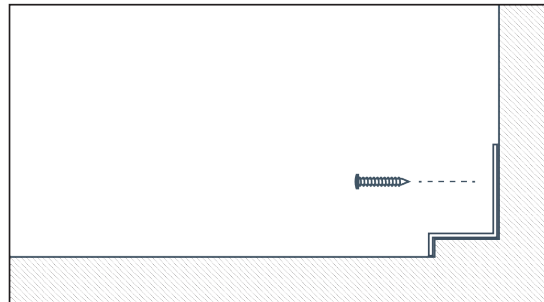
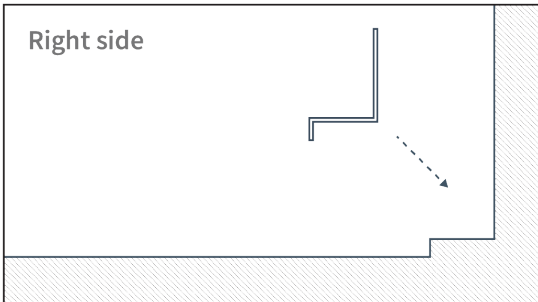


**PVC WALL PANELS & TRIM INSTALLATION GUIDE**

**BASE TRIM INSTALLATION**

	<p>Base Trim</p> 		<p><b>PRODUCT CODE</b></p> <p>Base Trim 10 FT</p>
	<p><b>BASE TRIM</b></p> <p>Base trim lines the floor to wall and holds the bottom of the wall panel. It is typically used for wet applications and allows for drainage.</p>		<p><b>USES</b></p> <p>Floor-to-Wall</p>
	<p><b>LENGTH</b></p> <p>10 FT</p>		

**Bottom of wall Base Trim**



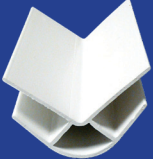
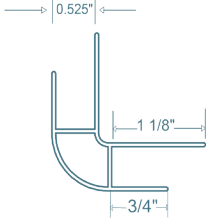
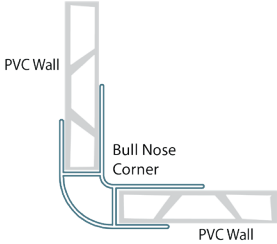
**IMPORTANT**

Do not use base trim on sloped floors.

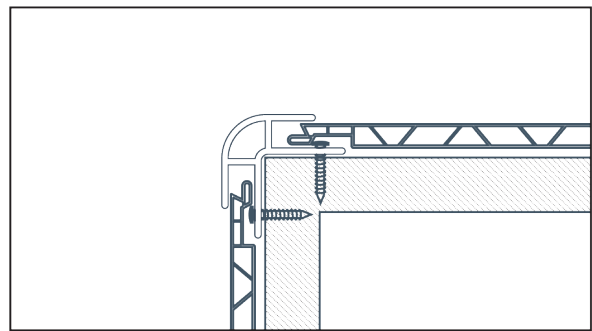
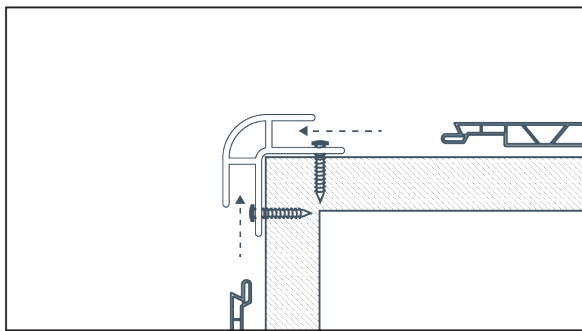
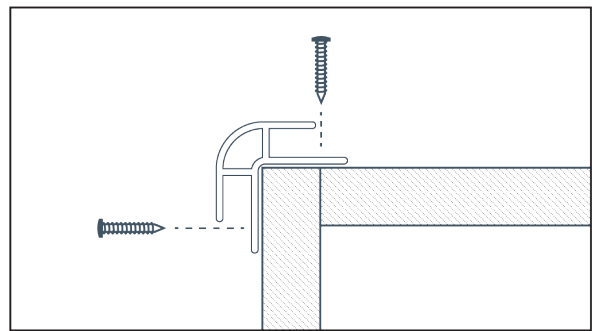
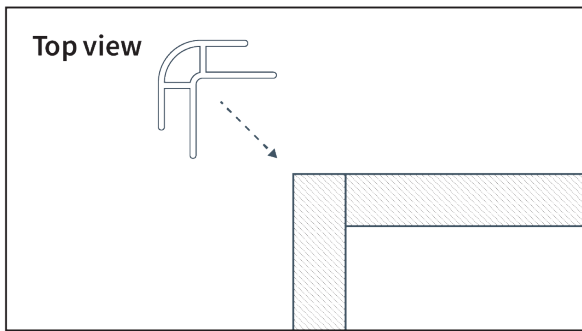


**PVC WALL PANELS & TRIM INSTALLATION GUIDE**

**BULL NOSE CORNER TRIM INSTALLATION**

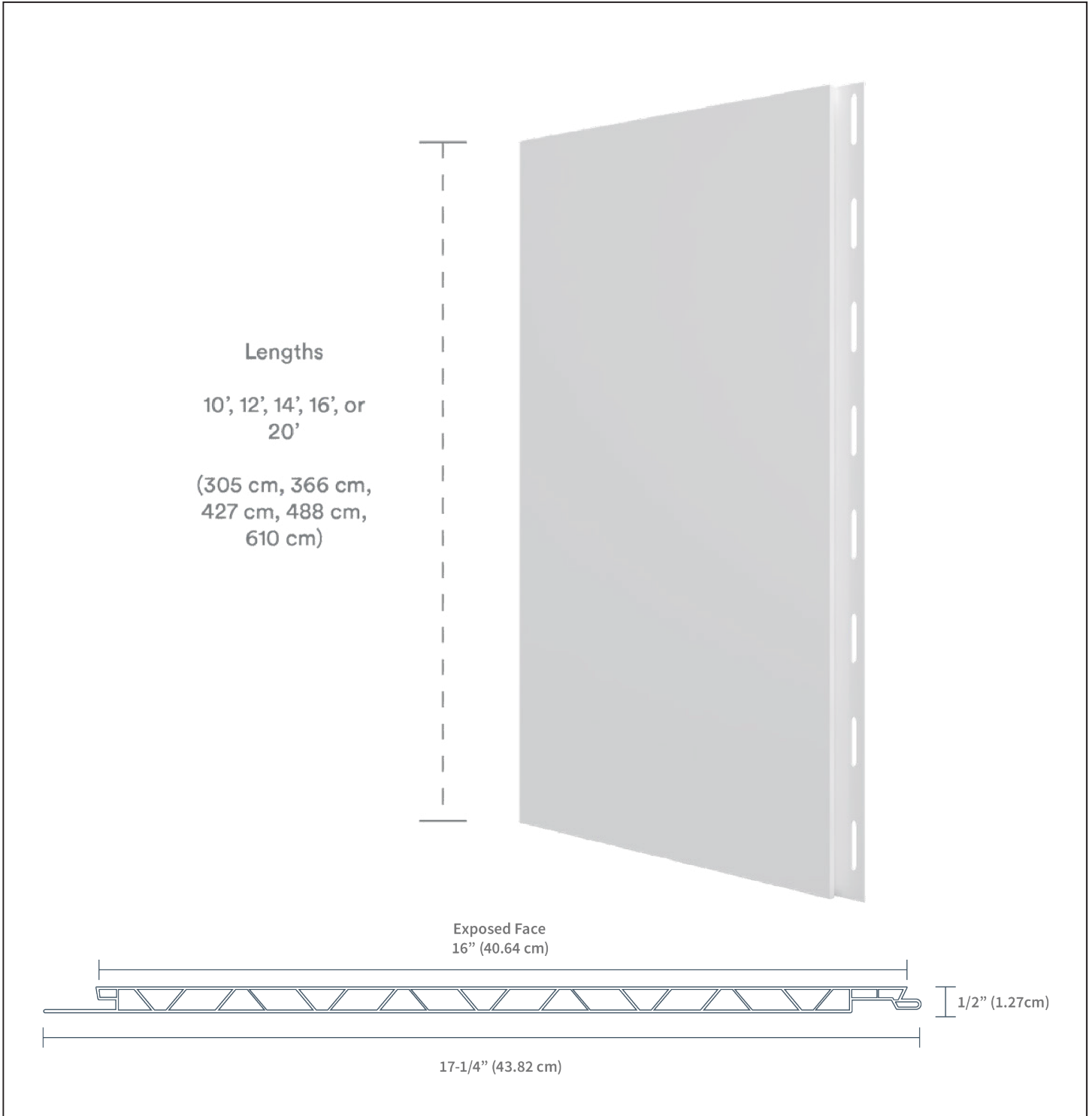
	<p><b>Bull Nose Corner</b></p> 	<p><b>PRODUCT CODE</b></p> <p>Bullnose Corner 10 FT</p>
		<p><b>BASE TRIM</b></p> <p>Bullnose Corner trim covers the 90-degree outside corner of 2 wall panels but provides a smooth rounded edge.</p>
	<p><b>USES</b></p> <p>Outside Corners</p>	
	<p><b>LENGTH</b></p> <p>10 FT</p>	

**Bullnose Corner Trim**



**PVC WALL PANELS & TRIM INSTALLATION GUIDE**

**PVC WALL PANEL SPECIFICATIONS**





## PVC WALL PANELS & TRIM INSTALLATION GUIDE

# PVC WALL PANELS CLEANING GUIDELINES

### **IMPORTANT**

Abrasive cleaning pads/cloths and solutions should not be used as they could scratch or alter the surface of the product.

To remove common dirt, wash using a sponge or soft cloth and a mild cleaning solution.

If the dirt is difficult to remove, wipe clean with a solution of:

- 1/3 cup laundry detergent (e.g. Tide®)
- 2/3 cup tri-sodium phosphate (e.g. TSP®)
- 3.79 L (1 Gallon) of water

Swiffer® Dusters™ are very helpful in removing dust from Duramax PVC Panels Wall&CeilingBoard.

Mr. Clean® Magic Erasers™ can be used to remove marks on Duramax PVC Panels Wall&Ceilingboard.

### **PRESSURE WASHING**

When hand cleaning doesn't get the job done, pressure washers may be used with mild soap and a sponge or soft cloth, provided the guidelines below are followed:

- Power washing nozzle should be at least 4-6 ft away from the wall.
- Use a small-to mid-size power washer with less than 3,000 psi.
- Use a wide spray nozzle angle (40° or greater is preferred) to distribute the water pressure across the wall.



## PVC WALL PANELS & TRIM INSTALLATION GUIDE

### PVC WALL PANELS DISCLAIMER

US Polymers Inc. is not responsible for problems related to expansion due to temperature fluctuations. If temperature fluctuations in the area are below or under 10- 20°C (50-68°F), allow for Duramax PVC Wall Panels to sit in the location for a minimum of 24 hours before installation. This will minimize the amount of expansion or contraction.

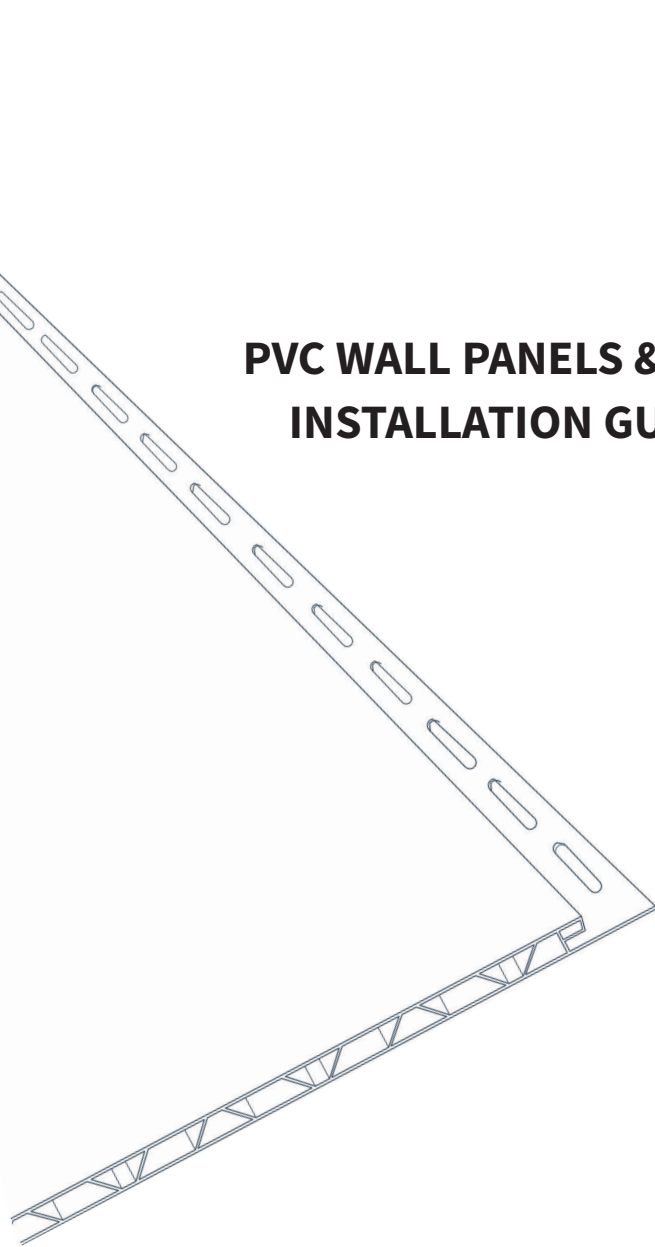
As we continue to improve our PVC Wall Panels efficiency and quality may result in minor color wall panel variations. Therefore, we advise you to install products within the same time frame or of the same package to avoid any minor color variations.

Duramax PVC Wall Panels are scratch, dent, and damage resistant, which means they **should never require re-painting** like traditional drywall. **THE USE OF PAINT, SANDING OR HARSH CHEMICALS ON DURAMAX PVC WALL PANELS WILL VOID THE WARRANTY.**

**PAINTING VOIDS WARRANTY**



## PVC WALL PANELS & TRIM INSTALLATION GUIDE



**VISIT**

[Duramaxpvcpanels.com](http://Duramaxpvcpanels.com)

**CALL**

**323-433-5665**

**EMAIL**

[albert@duramaxpvcpanels.com](mailto:albert@duramaxpvcpanels.com)

[ruel@duramaxpvcpanels.com](mailto:ruel@duramaxpvcpanels.com)

[duramaxpvcpanels.com](http://duramaxpvcpanels.com)

© USP 2021