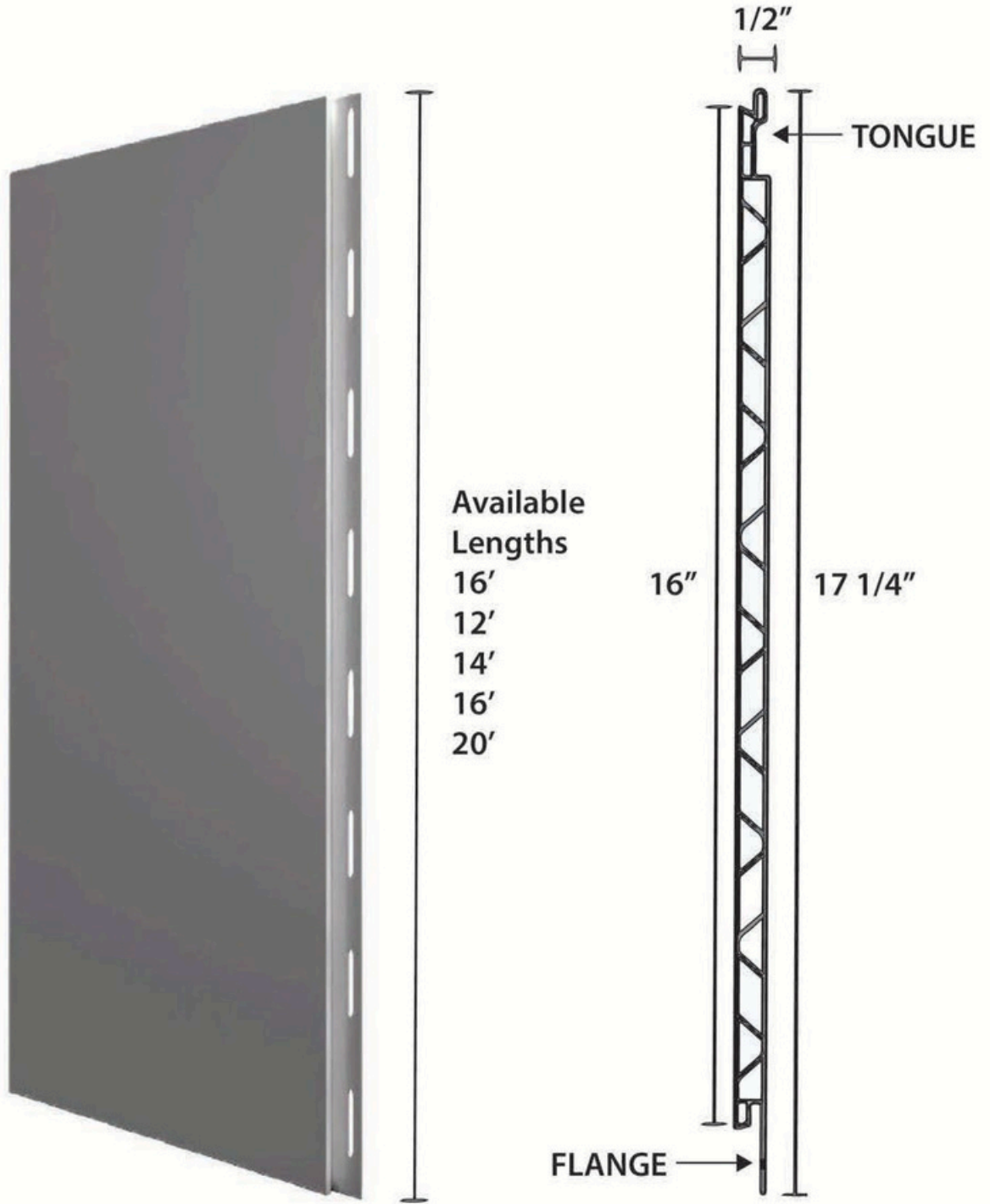




*Thank  
You!*  
For Your Purchase

We are here to help, any questions  
Please call (323) 433-5665 or Email: [sales@duramaxpvcpanels.com](mailto:sales@duramaxpvcpanels.com)  
[duramaxpvcpanels.com](http://duramaxpvcpanels.com)

# PVC Wall Panel Specifications



## Tools Required

Cordless Drill	Tin Snips	Tape Measure	Step Ladder
Level	Putty Knife	Utility Knife	2 person job
All Purpose Silicone Caulk			

## Acclimating Duramax PVC Wall Panels

Duramax PVC Wall Panels should be placed in the installation location for at least 24 hours prior to installation. This helps reduce the expansion or contraction that may occur after installation, ensuring the best possible results. We recommend loosening or removing any packaging material that might restrain the product during the acclimation period.

## Temperature Range

Duramax PVC Wall Panels are designed for installation in temperatures ranging from 10-20°C (50-68°F). For installations outside of this temperature range, please refer to our Cold Weather Installation Guide.

## Radiant Heat

All radiant heat sources must be shielded and maintain a minimum clearance of 24" from PVC Wall Panels. When installing near radiant heat, ensure surface temperatures do not exceed the maximum advised limit of 120°F. Before installation, consult the heater manufacturer for specific guidelines on required shielding and clearances.

## High Moisture Environments

For installation in high moisture areas (such as car washes), follow these guidelines:

- Apply a bead of silicone inside the groove of the panel before inserting the next panel.
- If using J Trim at the bottom of the wall, drill drainage holes in the bottom of the J Trim as outlined in the Trim application section of this document.

## USDA, FDA Compliant & CFIA Certified Installations

Duramax PVC Wall Panels meet USDA, FDA, and CFIA standards for areas where food is prepared. In these applications, follow these guidelines. Note that the product is intended for use on non-food contact surfaces only:

- Seal all joints with a flexible caulking compound to ensure a smooth, flush, and impervious joint.

In the USA, use DAP Commercial Kitchen 100% Silicone Sealant, which complies with FDA Regulation 21 CFR 177.2600 and is certified to NSF/ANSI Standard #51.

## PVC Wall Panels Disclaimer

US Polymers Inc. is not liable for issues related to expansion caused by temperature fluctuations. If the temperature in the installation area falls outside the 10-20°C (50-68°F) range, allow Duramax PVC Wall Panels to acclimate in the location for at least 24 hours before installation to reduce expansion or contraction.

As we continually enhance the efficiency and quality of our PVC Wall Panels, minor color variations may occur. To avoid noticeable differences, we recommend installing panels from the same batch or within the same time frame.

Duramax PVC Wall Panels are designed to be scratch, dent, and damage resistant and typically do not require repainting like traditional drywall. Please note that using paint, sanding, or harsh chemicals on Duramax PVC Wall Panels will void the warranty.

**WARNING:** This product can expose you to chemicals including Titanium Dioxide, which is known to the State of California to cause cancer. Drilling, sawing, sanding, or machining vinyl panels generates PVC and titanium dioxide dust, which can be harmful if inhaled. Avoid inhaling dust or use a dust mask or other safeguards for personal protection. For more information go to [www.P65Warnings.ca.gov](http://www.P65Warnings.ca.gov).

We are here to help, any questions  
Please call (323) 433-5665 or Email: [sales@duramaxpvcpanels.com](mailto:sales@duramaxpvcpanels.com)

Ensure a minimum clearance of 1/4" at the ends of all panels and trims to accommodate expansion and contraction. For panels longer than 20 feet, allow 3/8" clearance.

For vertical panels or trims that sit flush on the bottom J Trim or Base Trim, leave a minimum of 1/2" clearance at the top of the panel, as all expansion will occur at the top.

## Preparation:

- Check surfaces for straightness and install furring strips or strapping where necessary. Ensure all vapor barriers and other requirements are installed to code before installing Duramax PVC Wall Panels.
- Install Duramax PVC Wall Panels perpendicular to ceiling joists or roof trusses. If additional strapping is needed, use a minimum of 1"x4" or 2"x4" furring strips or strapping. If installing parallel, joists must be 16" on center.
- If required, install furring strips or strapping perpendicular to the framing members at 24" on center.
- Install wood blocking (short pieces of lumber for added support/coverage) around all openings to properly support trims.
- Install adequate backing at each location for suspending lights or other items; never mount items directly to Duramax PVC Panels.
- Do not begin installation until the building is fully enclosed, heating/cooling equipment is operational, and any residual moisture from construction has been removed.

Duramax PVC Wall Panels recommends using a concrete/masonry blade when cutting PVC panels to prevent cracking and chipping.

Alternatively, you can use a fine-tooth blade (12 to 16 teeth per inch) installed in the reverse direction. In cold weather, move the saw through the material slowly to prevent chipping or cracking.

Performing a test cut will allow you to confirm the performance of your cutting tool without affecting your project. For safety, wear safety goggles and a dust mask when using a power saw.

## Fastening PVC Wall Panels

Duramax PVC Wall Panels should be installed using screws. Use only corrosion-resistant screws (galvanized, stainless steel, or aluminum) with a minimum head diameter of 3/8".

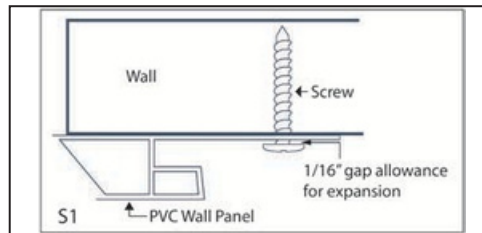
Avoid using nails or staples. Failure to adhere to these fastening guidelines may damage the panels and/or void the warranty.

Correct Screw Fasteners for Various Applications:

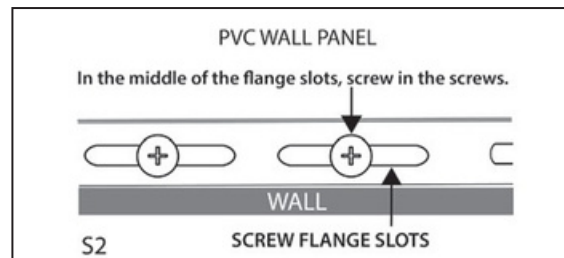
- Wood: #10 x 1-1/4" truss or pancake head screws
- Concrete: 3/16" x 1-1/4" flathead screws (Tapcon)
- Metal Studs: Use self-tapping screws rather than wood screws
- For installation over drywall, use screws that are 1-3/4" to 2" long.
- If using furring strips or strapping, opt for screws that are 2-1/2" long.

Fastening Tips:

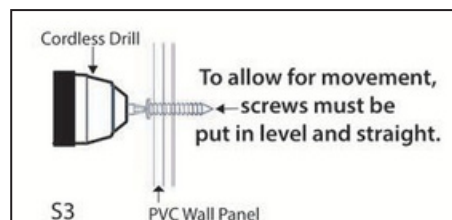
- Avoid over-tightening the fasteners.
- Maintain a minimum gap of 1/16" (about the thickness of a dime) between the back of the fastener head and the screw flange (S1).



- Always fasten in the center of the screw flange slots; fastening at the ends can cause the panels to buckle or distort (S2).



- Ensure screws are installed straight and level to allow for movement (S3).



- Panels must be able to slide freely after fastening to accommodate expansion and contraction.
- Fasteners should penetrate at least 1" into solid backing.
- Space fasteners no more than 24" apart.

If Duramax PVC Wall Panels are being installed on both the ceiling and walls, always install the ceiling panels first. Silicone is mandatory for wet installations.

We recommend using a one-part, Neutral Cure Silicone Sealant to seal all corners, and around fixtures and to repair small holes.

## Ripping PVC Wall Panels

To ensure even panel spacing, plan the layout of your PVC Wall Panels before starting the installation. If you need to cut panels to fit your wall space, make sure any cut panels are at least 8" wide. You may need to cut both the first and last panels to achieve this.

- For the first panel, cut off the tongue side.
- For the last panel, cut off the groove (screw flange) side.

When measuring the coverage needed, measure only the panel profile, not the nailing flange. Important: Leave 1/4" of space at the end of the wall for expansion and contraction. When installing the last panel, use a putty knife to bend the J Trim back if necessary, creating enough space to fit the panel into the trim.

## Cutouts

For creating holes for electrical boxes, lights, taps, or similar fixtures, use a jigsaw for precise cuts.

Follow these steps:

1. Measure and locate the opening on the wall.
2. Mark the outline of the opening on the panel.
3. Drill a 1/2" hole at one corner of the marked area.
4. Insert the jigsaw blade into the hole and cut along the marked lines.

## Epoxy Floors

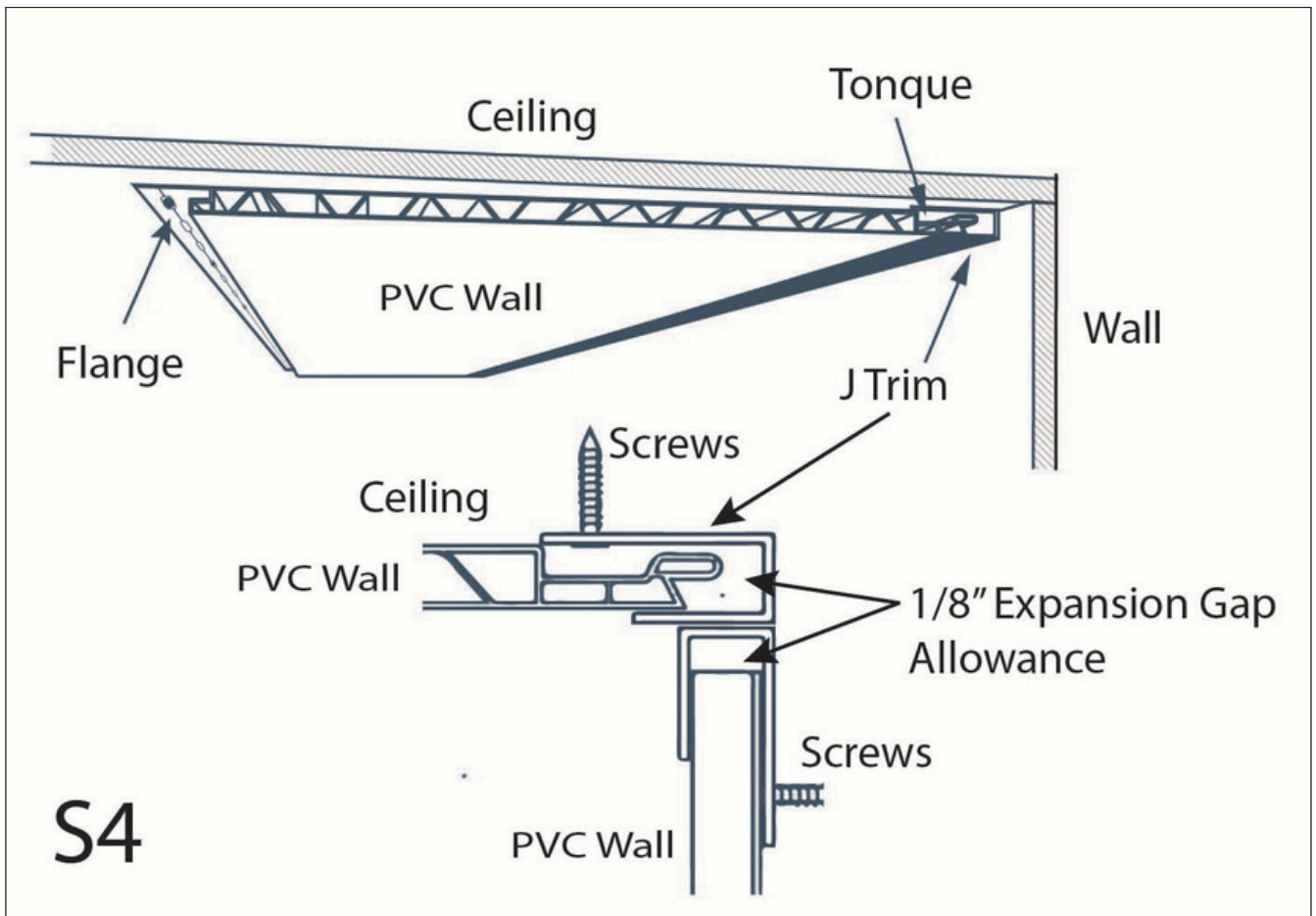
When installing PVC Wall Panels in an area that will have an epoxy floor, ensure that the epoxy is not sprayed onto the Duramax PVC Wall Panels.

## PVC Wall Panels Ceiling Installation

1. Start by installing the necessary trims around the perimeter of the ceiling and any openings.

2. Cut the first panel to the required length for the initial course. Position the panel with the tongue side in the trim and the screw flange side facing away from the wall. Ensure the panel is parallel to the outside wall before fastening (S4).

Leave a 1/8" gap between the tongue side of the panel and the adjoining trim. Fasten at least once every 24" using the recommended fasteners. Be sure to leave a 1/4" clearance at both ends of the panels for expansion and contraction and avoid over-tightening the fasteners (S4).



3. Once the first row of panels is installed, proceed with the rest of the ceiling. Insert the tongue of the second panel into the groove of the first panel. Press the panels firmly together during installation to ensure a proper connection before fastening.

Periodically check your installation to ensure the panels are aligned in straight, even rows. Measure the distance from the wall to the edge of your panels at both ends, top and bottom to verify alignment.

4. The last panel may need to be trimmed to fit. Refer to the Ripping Panels section for detailed instructions on how to do this.

## Drywall Grid Ceiling Installation

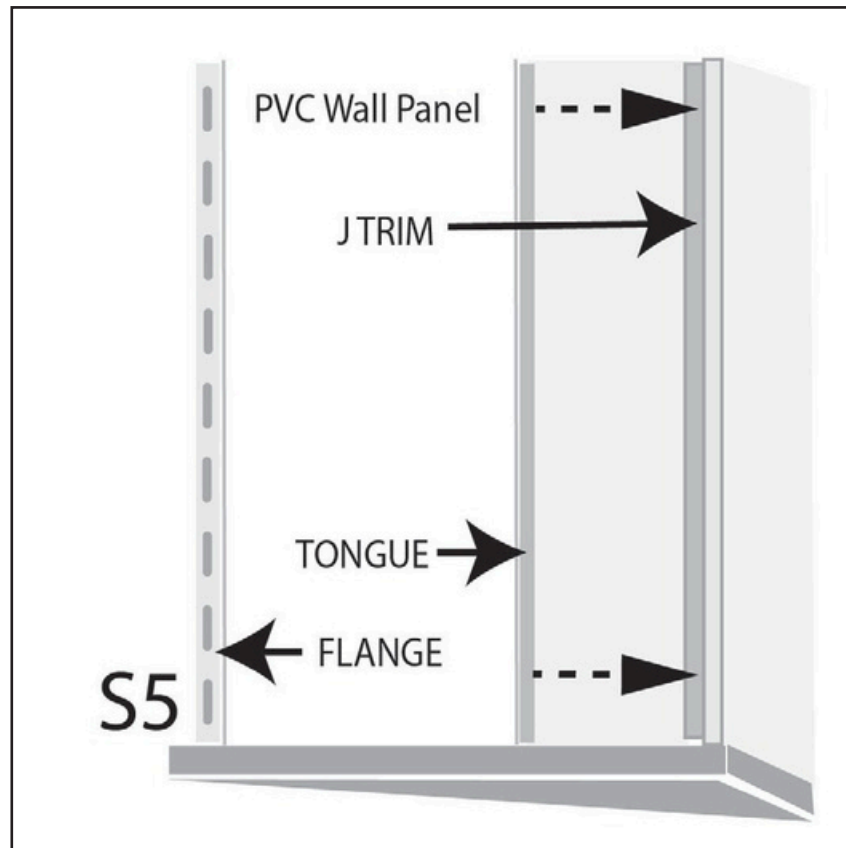
PVC Wall Panels can be installed in a drop ceiling application using drywall grid systems, which are intended for screw attachment. If you are using this method, follow these tips:

- Install the panels perpendicular to the drywall grid.
- Plan your installation so that trims can be secured directly into the grid. Main beams are preferable, but cross tees can also be used to support the trims.
- Fasten the panels into the grid from below to ensure a waterproof installation; panels should not be simply dropped into the grid.
- Arrange the grid so that panels are fastened a minimum of 24" in the center.
- Use a #12 x 3/4" pan head stainless steel screw for fastening.

## PVC Wall Panels Vertical Installation

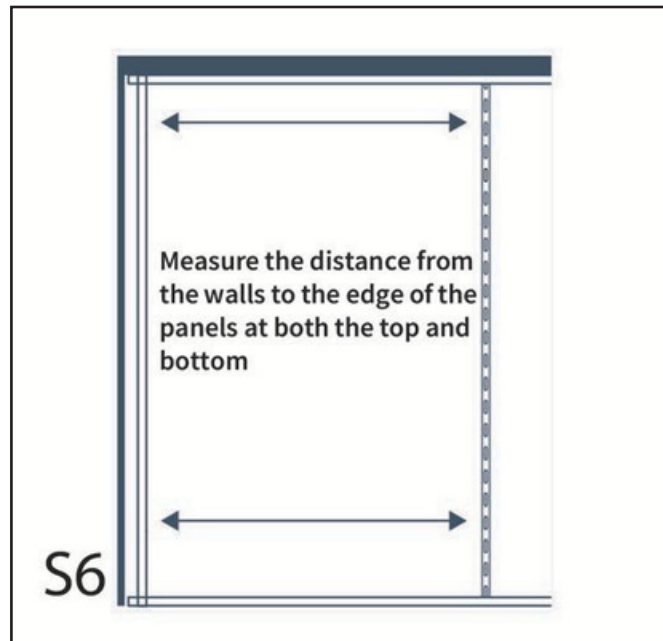
1. Begin by installing the Base Trim or J Trim along the bottom of your wall.
2. If using J Trim for your corners, install them before your panels. If using Inside Cove Corner, install them after the adjoining wall panels. Then, install perimeter trims around openings like doors or windows.
3. Install J Trim or Inside Cove Corner at the top of your wall.
4. Cut the first panel to the appropriate length for the initial course. Position the panel with the tongue side in the corner trim and the screw flange side facing away from the wall (S5). Ensure the panel is parallel to the outside wall before fastening.

Leave a 1/8" gap between the tongue side of the panel and the adjoining trim. Fasten at least once every 24" using the recommended fasteners. Remember to leave a 1/4" clearance at both ends of the panels for expansion and contraction and avoid over-tightening the fasteners.



5. With the first row of panels installed, continue installing the rest of the wall. Insert the tongue of the second panel into the groove of the first panel. Press the panels firmly together during installation to ensure a proper connection before fastening.

Periodically check your installation to ensure the panels are aligned in straight, even rows. Measure the distance from the wall to the edge of your panels at both the top and bottom to verify alignment (S6). If measurements are uneven, adjust the positioning of the panel.

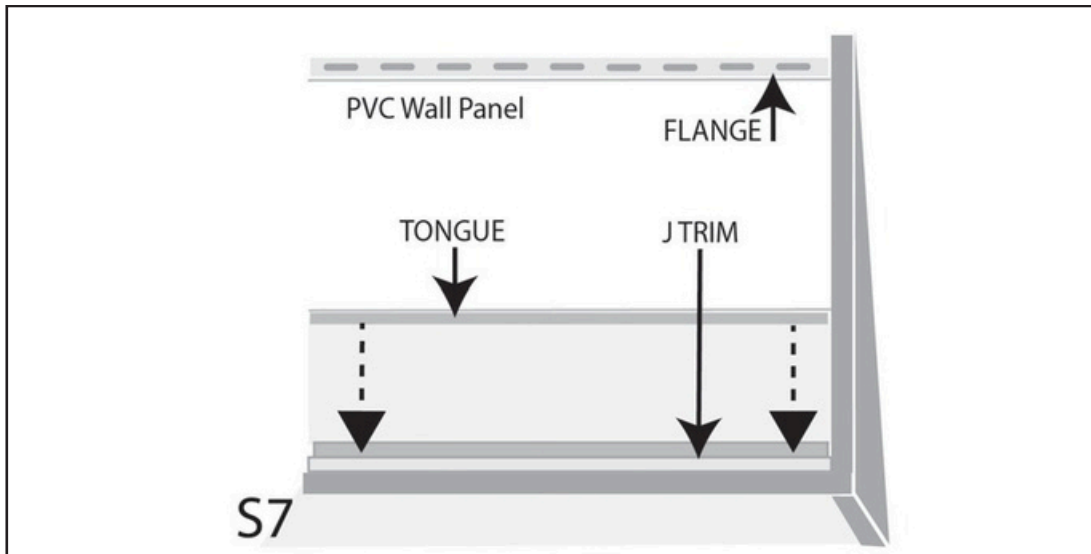


6. The last panel may need to be trimmed to fit. Refer to the Ripping Panels section for detailed instructions on how to do this.

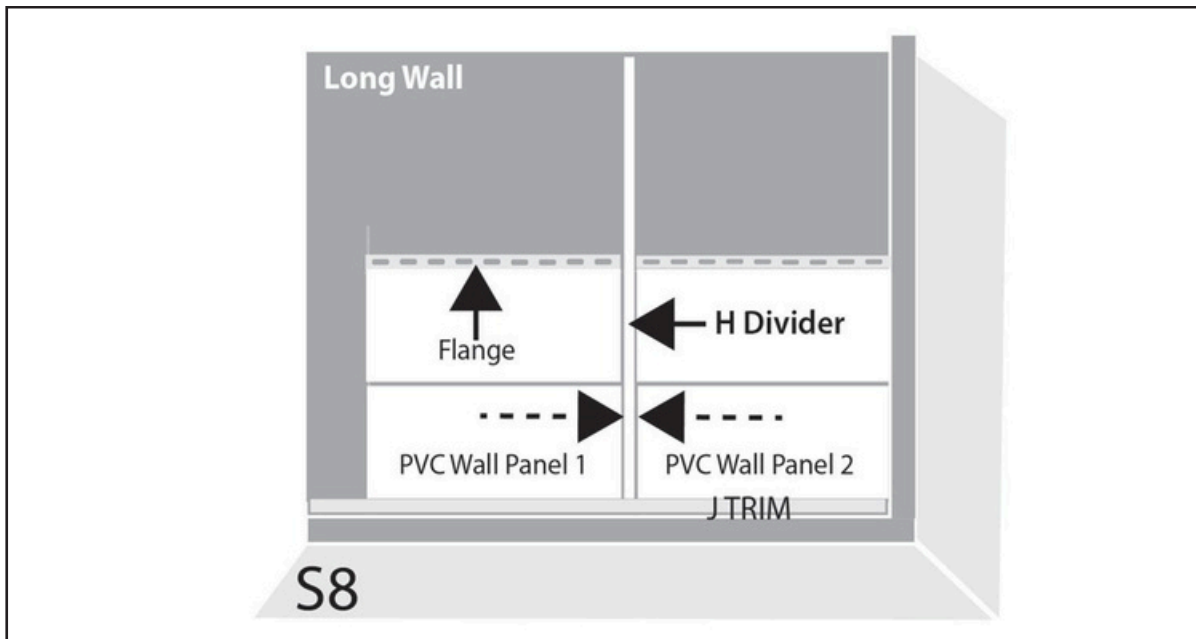
## PVC Wall Panels Horizontal Installation

Installing panel horizontally is similar to vertical installation, with a few additional considerations:

- Install the panel with the tongue side facing the floor and the groove side facing the ceiling (S7).



- Apply silicone to the panel joints as you install to prevent water from pooling in the connections.
- If the wall is longer than the panels, use an H channel snap-in kit to join the panels (S8).


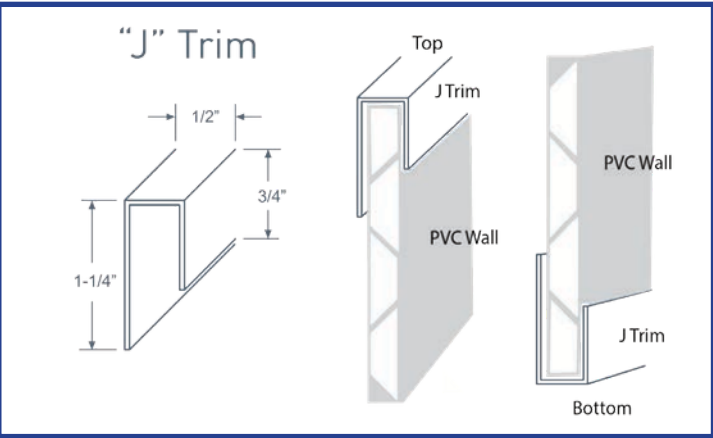


## IMPORTANT: PVC Wall Panels Trim Installation Tips

- Tin snips are the safest and most effective tool for cutting trims. For a cleaner cut, avoid closing the blades fully at the end of each stroke.
- Secure trims to the substrate with screws spaced no more than 24" apart and at least 4" from the ends of the panel.
- For continuous trims longer than 10', butt the trims tightly together and apply silicone sealant between the pieces.
- To ensure a watertight seal at the door and window openings, apply a small bead of silicone caulking in the channel opening of the trim pieces before installing the panels.

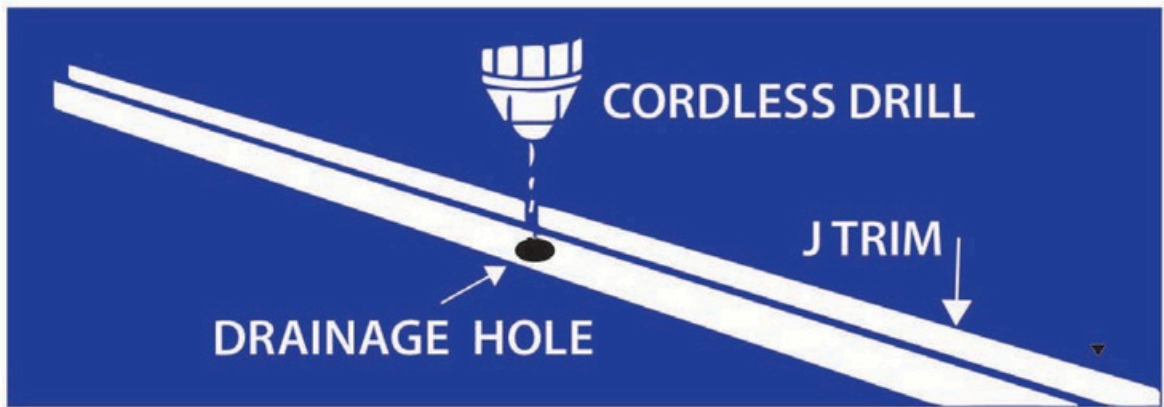
**J TRIM INSTALLATION**

J Trim Installation

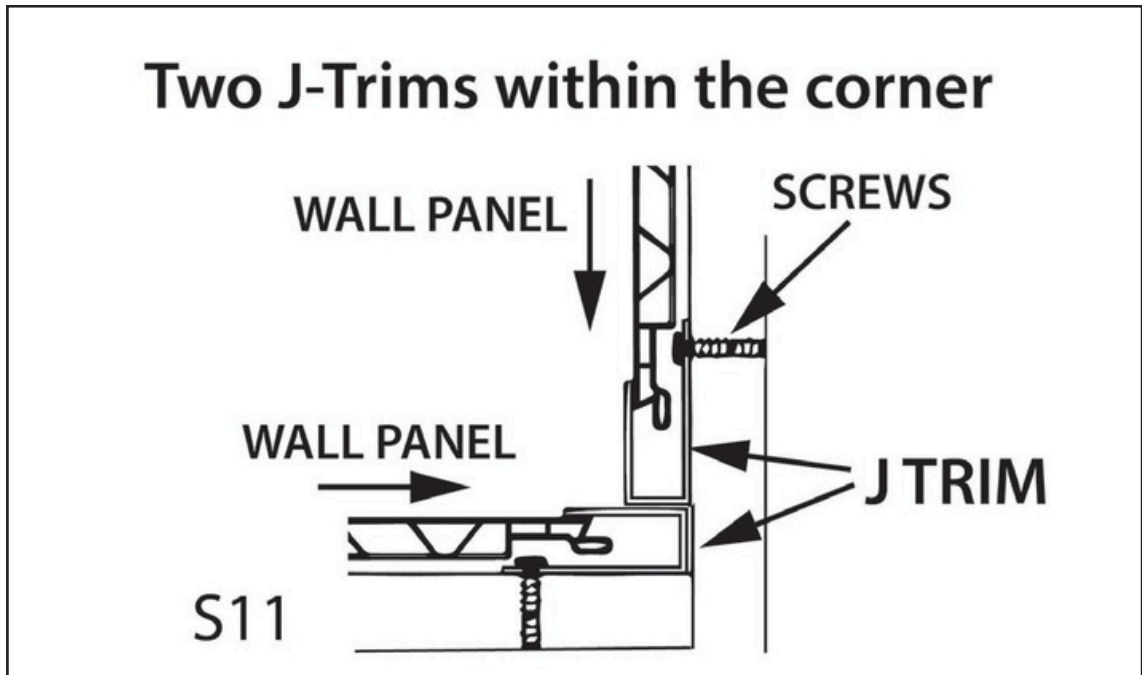
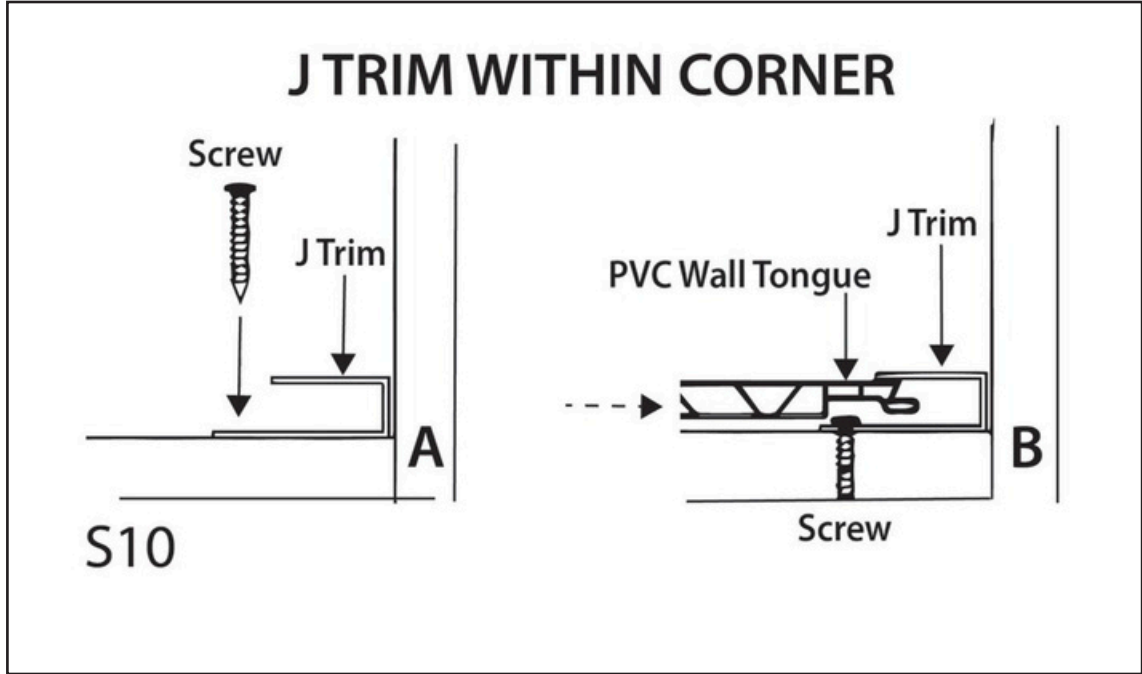
<b>PRODUCT CODE</b>	J Trim 10 FT
<b>J TRIM</b>	J Trim is the basic trim that is used for any side of a wall or ceiling.
<b>USES</b>	Wall-to-ceiling, Floor-to-Wall, Inside Corners, Doors and Windows perimeter
<b>LENGTH</b>	10 FT

Before attaching the J Trim to the wall, drill holes with a 1/4" diameter into the bottom of the piece to guarantee drainage. Place the holes 16" apart from one another.

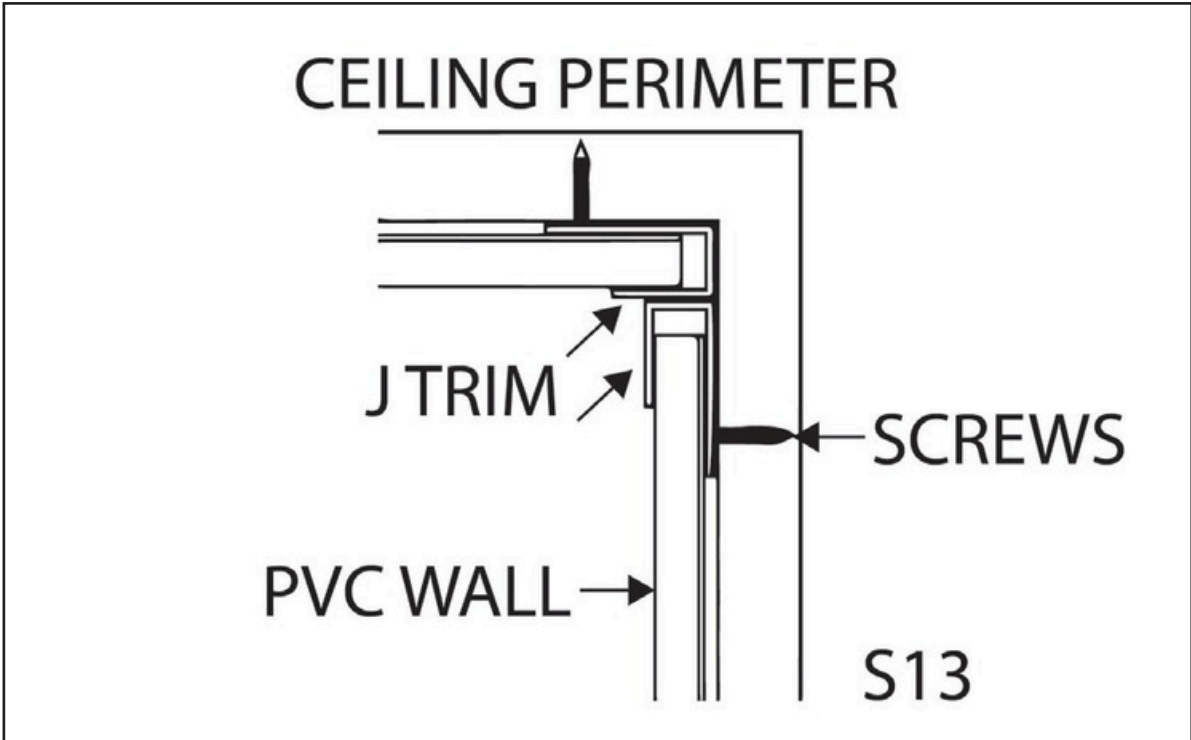
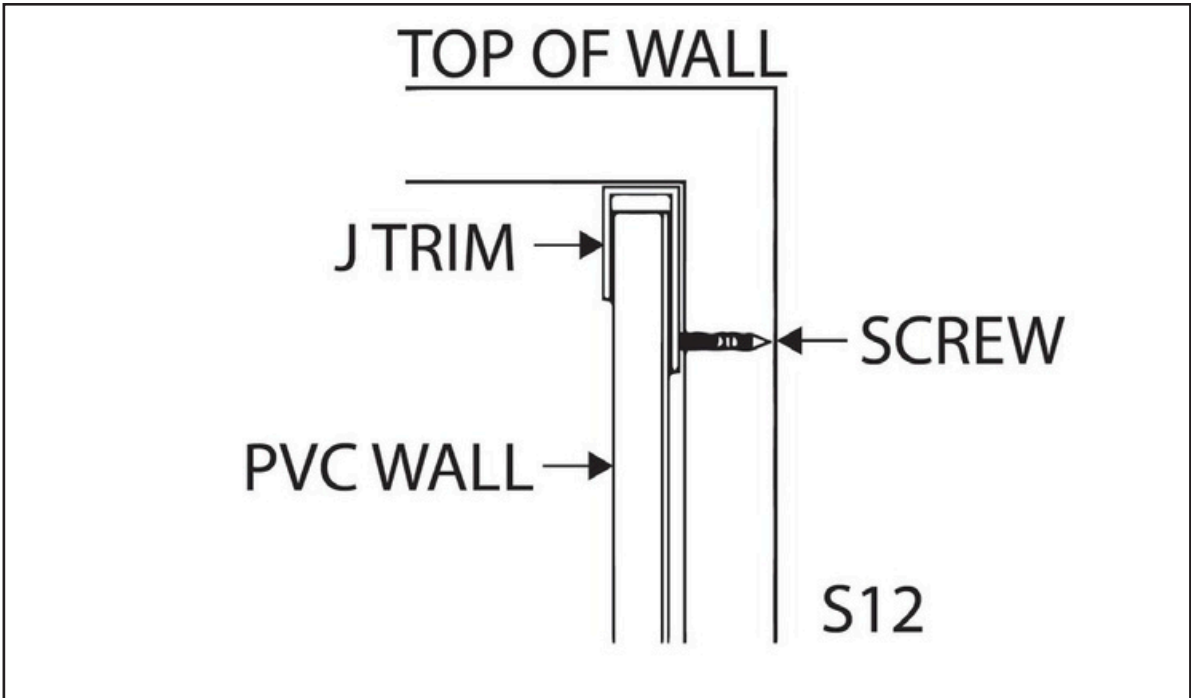


S9

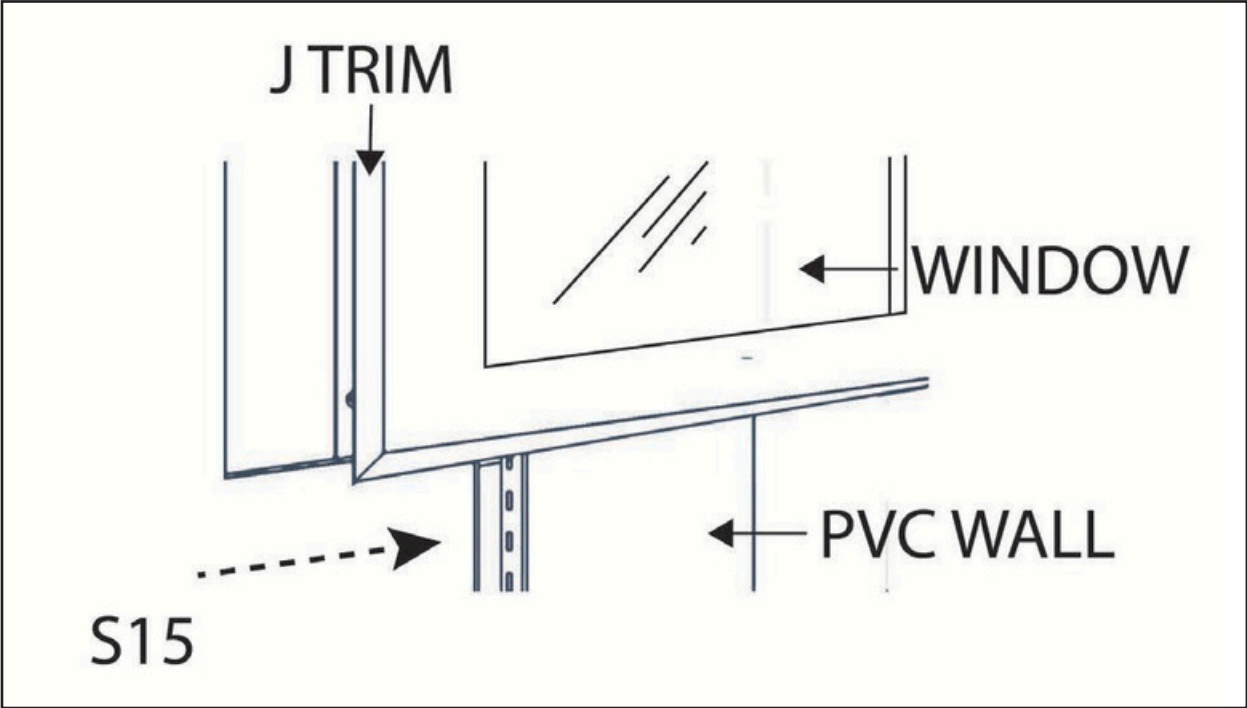
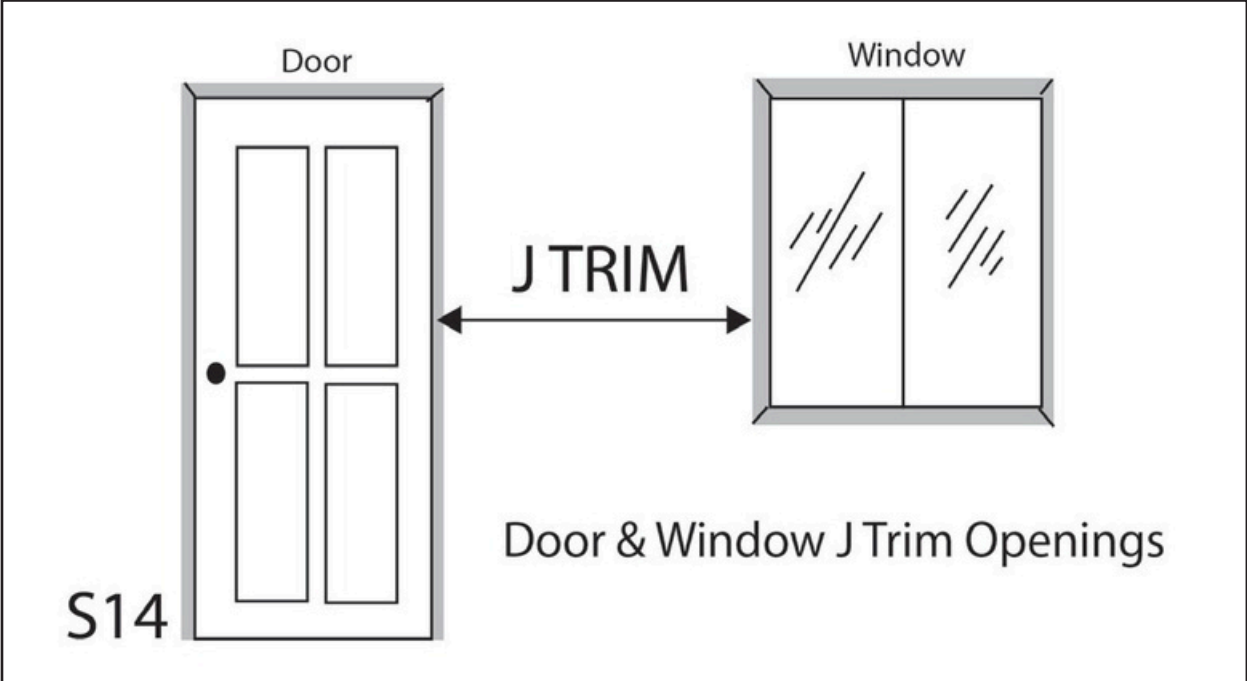
### INSIDE CORNER J TRIM



J Trim Installation

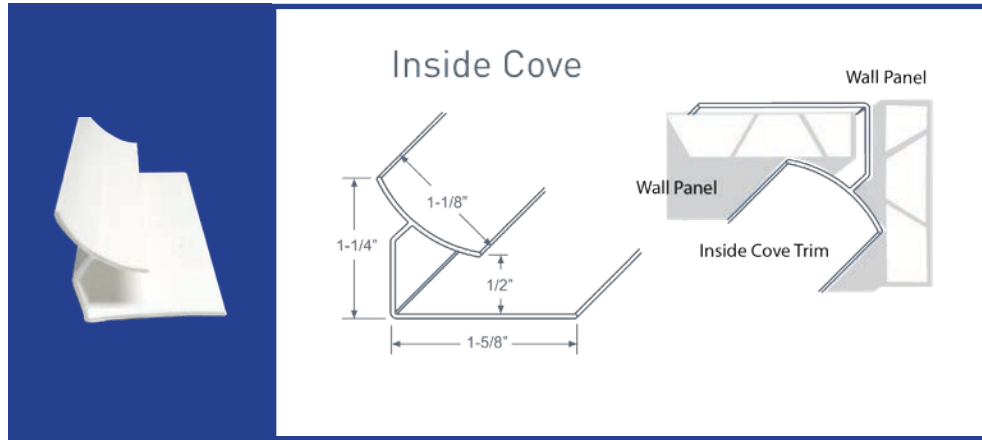


J Trim Installation

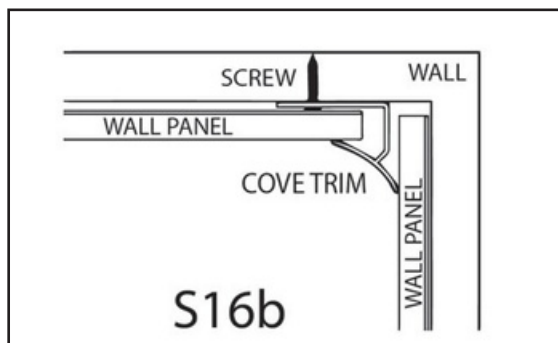
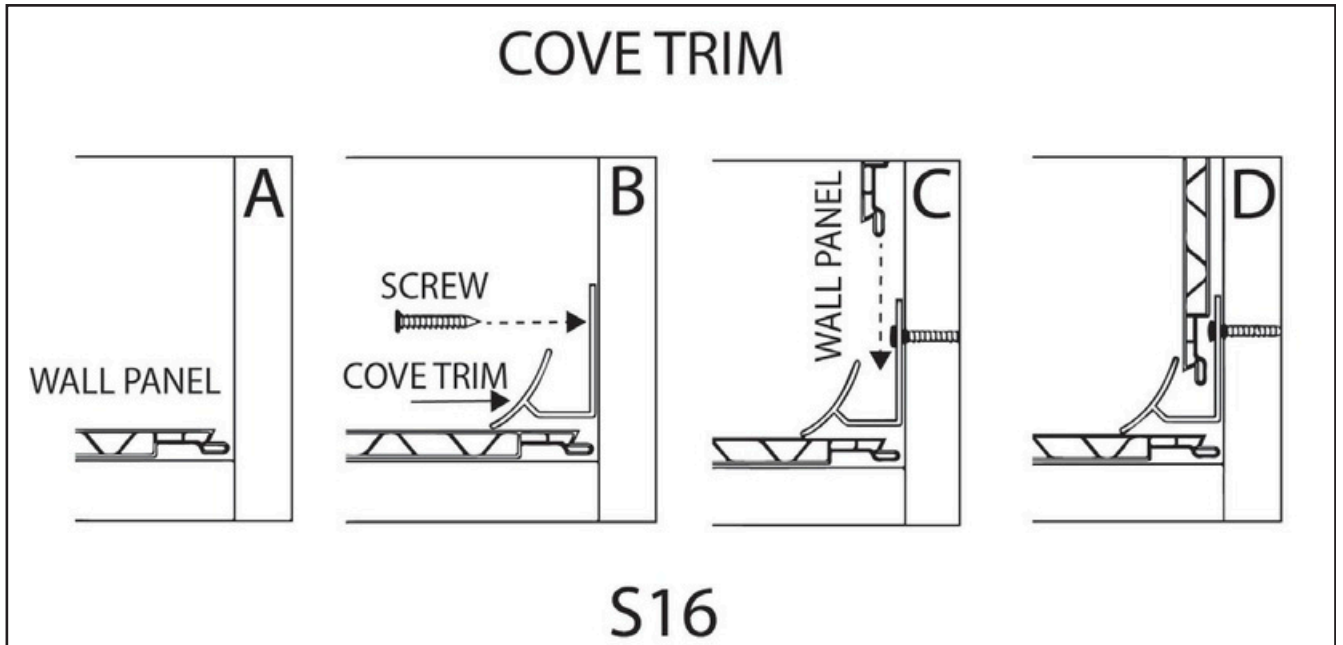


**INSIDE COVE TRIM INSTALLATION**

Inside Cove Trim Installation


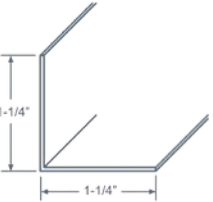
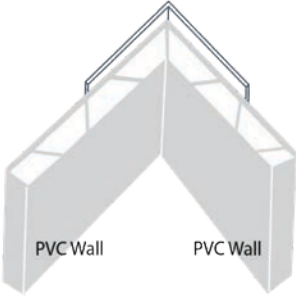


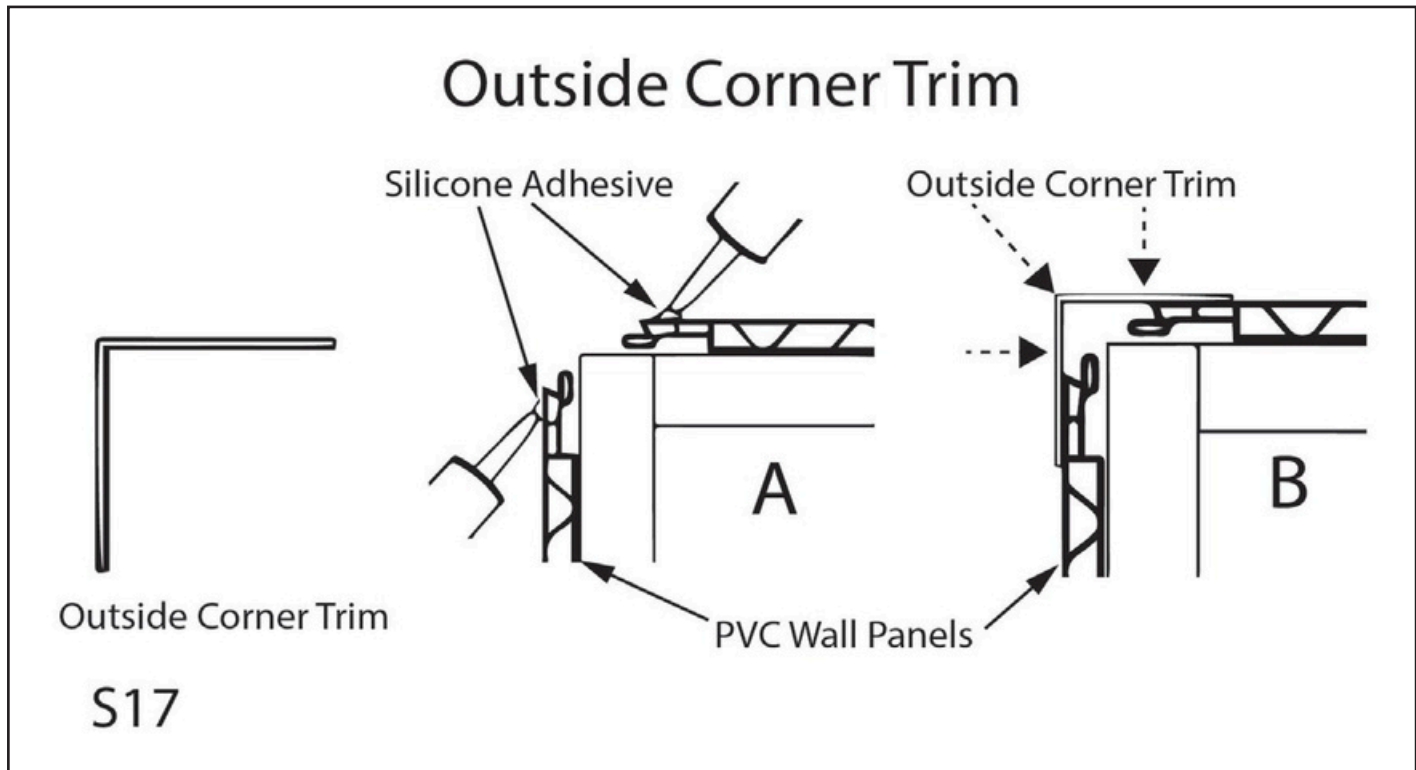
<b>PRODUCT CODE</b>	Inside Cove 10 FT
<b>INSIDE COVE</b>	Inside Cove is used for the inside corner and provides a curved and smooth corner. Excellent for a seamless water-resistant surface.
<b>USES</b>	Wall-to-ceiling, Floor-to-Wall, Inside corners
<b>LENGTH</b>	10 FT




**OUTSIDE CORNER TRIM INSTALLATION**

Outside Corner Trim Installation

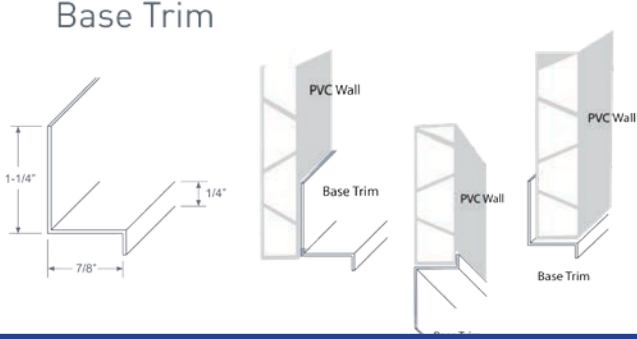
	<p>Outside Corner</p>  <p>Outside Corner</p> 
<p><b>PRODUCT CODE</b></p>	<p>Outside Corner 10 FT</p>
<p><b>OUTSIDE CORNER USES</b></p>	<p>Outside Corner trim covers the 90-degree outside corner of 2 wall panels. Outside Corners</p>
<p><b>LENGTH</b></p>	<p>10 FT</p>



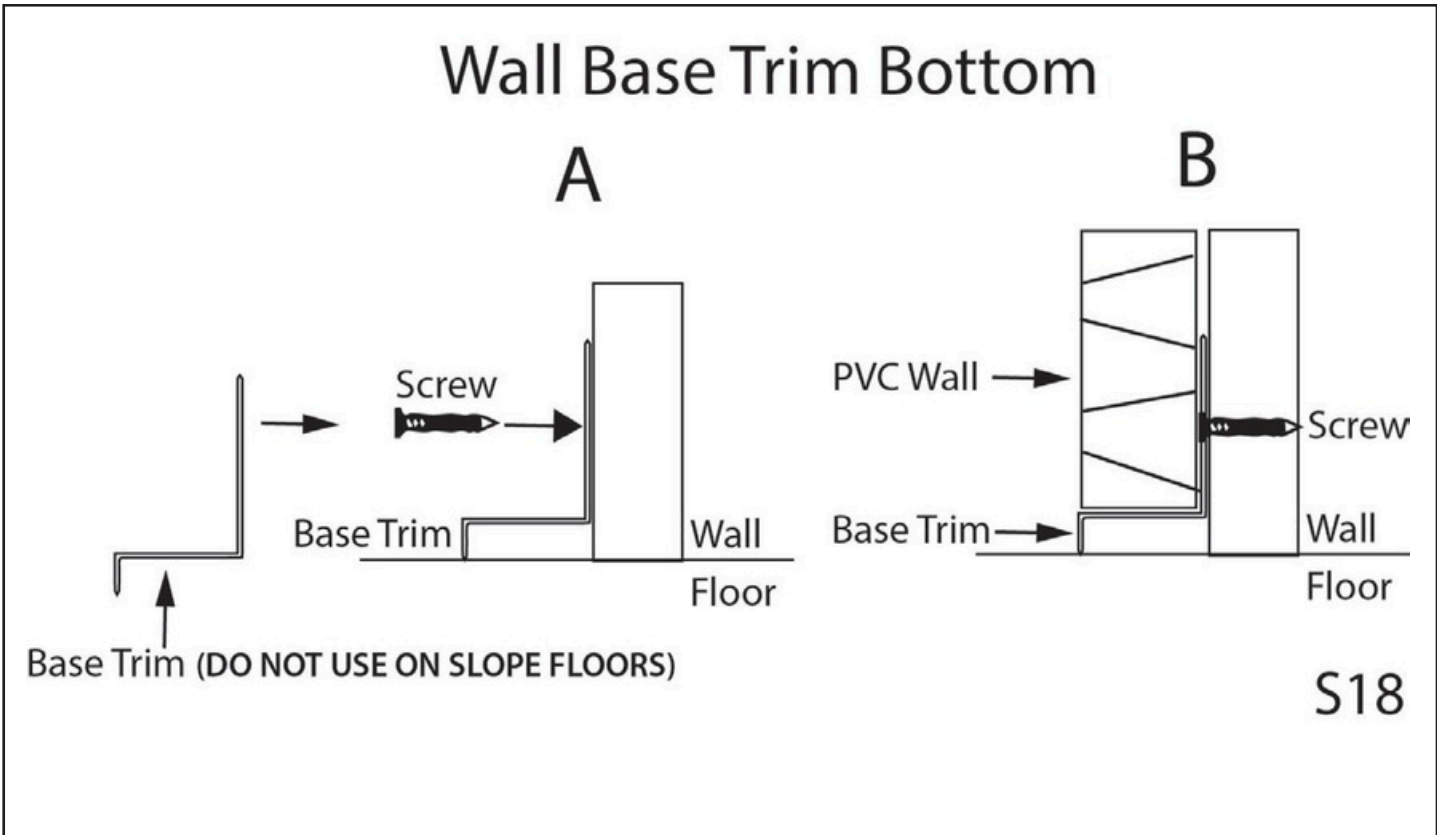
**BASE TRIM INSTALLATION**



Base Trim

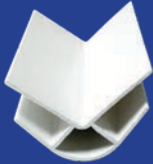


<b>PRODUCT CODE</b>	Base Trim 10 FT
<b>BASE TRIM</b>	Base trim lines the floor to wall and holds the bottom of the wall panel. It is typically used for wet applications and allows for drainage.
<b>USES</b>	Floor-to-Wall
<b>LENGTH</b>	10 FT

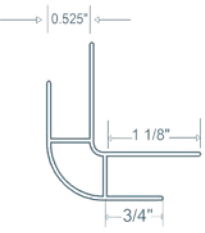
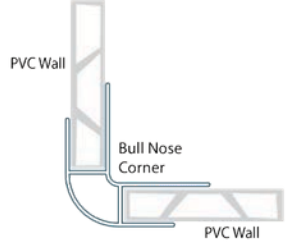


**BULL NOSE CORNER TRIM INSTALLATION**

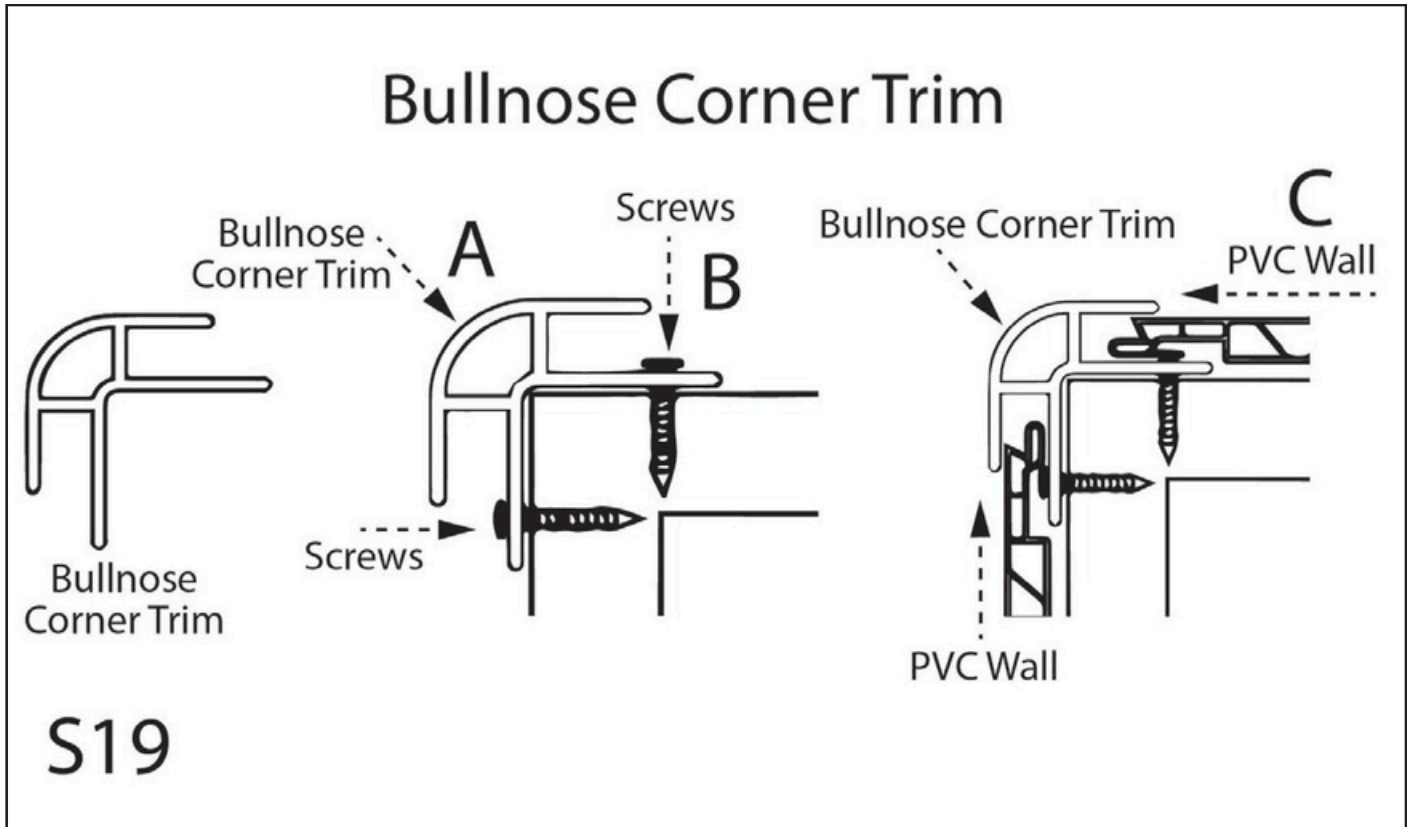
Bull Nose Corner Trim Installation



**Bull Nose Corner**

<b>PRODUCT CODE</b>	Bullnose Corner 10 FT
<b>BASE TRIM</b>	Bullnose Corner trim covers the 90-degree outside corner of 2 wall panels but provides a smooth rounded edge.
<b>USES</b>	Outside Corners
<b>LENGTH</b>	10 FT



## PVC Wall Panels Cleaning Guidelines

**Important:** Avoid using abrasive cleaning pads, cloths, or solutions, as they can scratch or damage the surface of the panels.

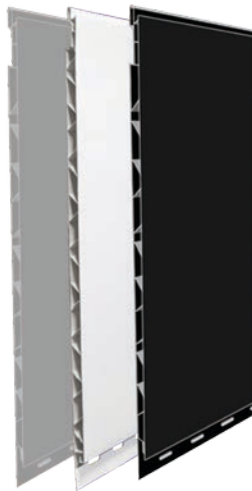
To clean common dirt, use a sponge or soft cloth with a mild cleaning solution.

Swiffer® Dusters™ effectively remove dust from Duramax PVC Panels Wall & Ceiling Board. For marks, Mr. Clean® Magic Erasers™ can be used.

### Pressure Washing:

If hand cleaning is not effective, you can use a pressure washer with mild soap and a sponge or soft cloth. Follow these guidelines:

- Keep the power washing nozzle at least 4-6 feet from the wall.
- Use a small to mid-size power washer with a pressure of less than 3,000 psi.
- Use a wide spray nozzle angle (40° or greater) to evenly distribute the water pressure across the wall.



*Thank  
You!*

For Your Purchase

We are here to help, any questions  
Please call (323) 433-5665 or Email: [sales@duramaxpvcpanels.com](mailto:sales@duramaxpvcpanels.com)